

# Birlea®

## Assembly Instructions

---

**Thank you for  
purchasing a  
Birlea product**

For a chance to win a Love2Shop voucher simply post a picture of your new product on your preferred social channels tagging Birlea Furniture. One winner will be selected at random each month.

\*Terms & conditions may apply.

---

**Are you happy with your purchase?**

**Yes:** That's great, we would love to hear more from you. Please leave us a review on our Trustpilot link on the QR code here. Your feedback will be greatly appreciated.



**No:** If for any reason there is something missing, indifferent or incorrect with your order, please contact the retailer that you purchased your item from.

Please note that this items build time is around : 30mins



**www.birlea.com**

## ASSEMBLY INSTRUCTIONS

### PHOENIX OTTOMAN 4'6 BED

**IMPORTANT: READ THESE INSTRUCTIONS CAREFULLY BEFORE ASSEMBLING OR USING YOUR PHOENIX OTTOMAN 4'6 BED**

PLEASE KEEP THESE INSTRUCTIONS FOR FUTURE REFERENCE.

#### HEALTH & SAFETY:

DO NOT jump on this bed frame.

DO NOT use this bed frame if any parts are missing, damaged or worn.

DO NOT use this bed frame unless all fixings are secured.

Please keep small parts out of reach of children.

Always use on a level, even surface.

**WARNING:** If this bed is placed on a non-carpeted floor you must place some protection under all legs to stop the bed frame from moving. If this is not adhered to there is no guarantee if the bed frame collapses.

**WARNING:** Take care when assembling the base, assemble the ottoman as close to its final position. The ottoman has a powerful mechanism and after assembly should only be opened when the bed mattress is in place.

#### CARE & MAINTENANCE:

Assemble in the room of use.

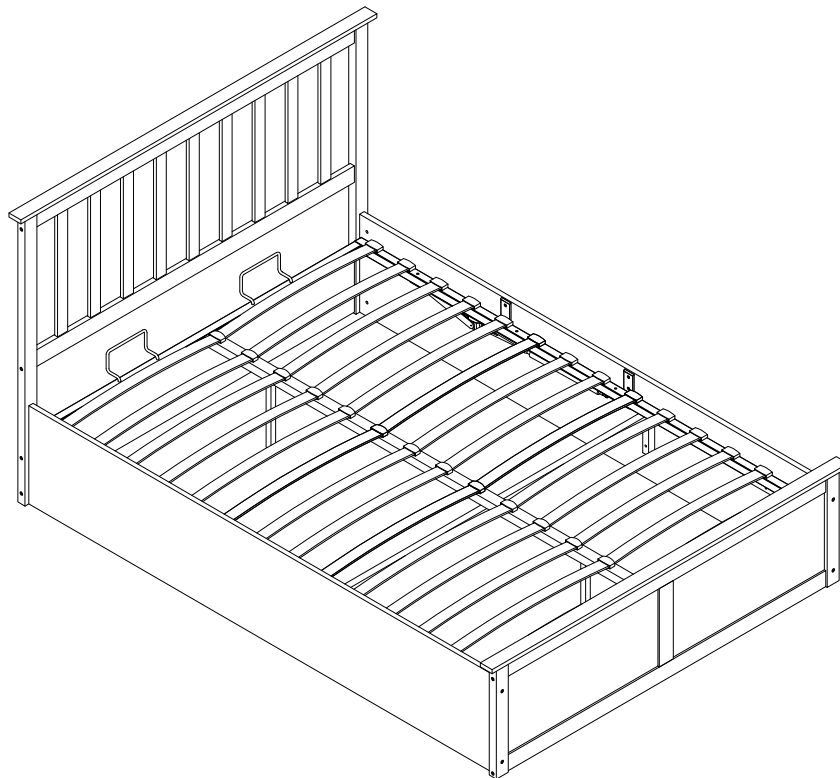
Periodically check all screws & fixings to ensure they are secure.

DO NOT push the bed frame as this will damage the legs.

Always lift the bed with two people to reposition.


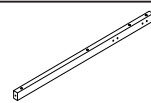
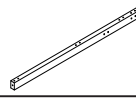
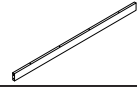
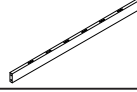
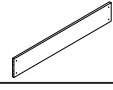
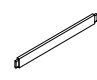
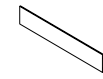
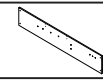

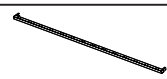

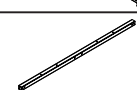
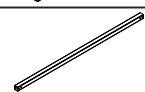

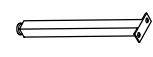
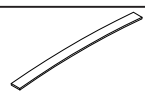


Keep any sharp objects away from the frame.

Assemble must be done by two persons.



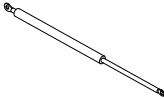
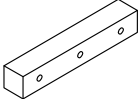

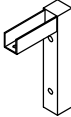
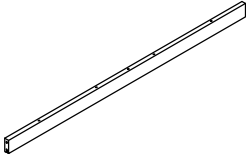



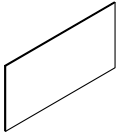
# Birlea®

Birlea Furniture Limited – Registered Office Unit 6a-1, Birlea Way, West Meadow Rise, Castle Donington, Derbyshire, DE74 2HL, UK

Parts List				
Parts	Description		Qty	Box
1	Top Bar		2	2/2
2	Headboard Left Wooden Post		1	1/2
3	Headboard Right Wooden Post		1	
4	Headboard Upper Rail		1	
5	Headboard Bottom Rail		1	
6	Headboard Bottom Panel		1	
7	Headboard Vertical Rail		9	
8	Left Side Rail		1	
9	Right Side Rail		1	
10	Footboard Left Wooden Post		1	1/2
11	Left Side Metal Bar		1	2/2
12	Right Side Metal Bar		1	
13	Headboard End Metal Bar		1	
14	Footboard End Metal Bar		1	
15	Center Metal Bar		1	
16	Support Leg		2	1/2
17	Slat		28	
18	Left Mechanism		1	
19	Right Mechanism		1	

# Birlea®

Birlea Furniture Limited – Registered Office Unit 6a-1, Birlea Way, West Meadow Rise, Castle Donington, Derbyshire, DE74 2HL, UK

Parts	Description		Qty	Box
20	Piston		2	1 / 2
21	Holding Tube		2	
22	Centre Support Rail		1	2 / 2
23	Support Rail Bracket		2	1 / 2
24	Footboard Upper Rail		1	
25	Footboard Bottom Rail		1	
26	Footboard Centre Rail		1	
27	Footboard Right Wooden Post		1	
28	Footboard Centre Panel		2	

# Birlea®

Birlea Furniture Limited – Registered Office Unit 6a-1, Birlea Way, West Meadow Rise, Castle Donington, Derbyshire, DE74 2HL, UK

## Hardware List(Found in box#)

Parts	Description		Qty	Box
A	Mini Fix		12	1/2
B	8 x 30 mm Wooden Dowel		22	1/2
C	M6x 80 mm JCBC Bolt		12	1/2
D	M6x 60mm JCBC Bolt		8	1/2
E	M6x 16mm JCBC Bolt		4	1/2
F	M8x 45mm JCBC Bolt		12	1/2
G	M8x 40mm JCBC Bolt		8	1/2
H	M8x 20mm JCBC Bolt		16	1/2
I	M8x 35mm JCBC Bolt		4	1/2
J	Nut		20	1/2
K	Flat Washer		36	1/2
L	Spring Washer		36	1/2
M	Single Slat Cap		28	1/2
N	Double Slat Cap		14	1/2
O	M5 Allen Key		1	1/2
P	M12.8 Spanner		1	1/2
Q	Sticker		32	1/2
R	Belt Handle		1	1/2
S	M4x55mm Screw		6	1/2
T	Plastic Spacer		4	1/2
U	M4x16mm Screw		8	1/2
V	Bracket 20 mm x 58 mm		4	1/2
W	Base Handle		2	1/2
X	M8 Nut		4	1/2
Y	Washer Bracket		6	1/2
Z	Felt Pad		3	1/2
a	M4 Allen Key		1	1/2

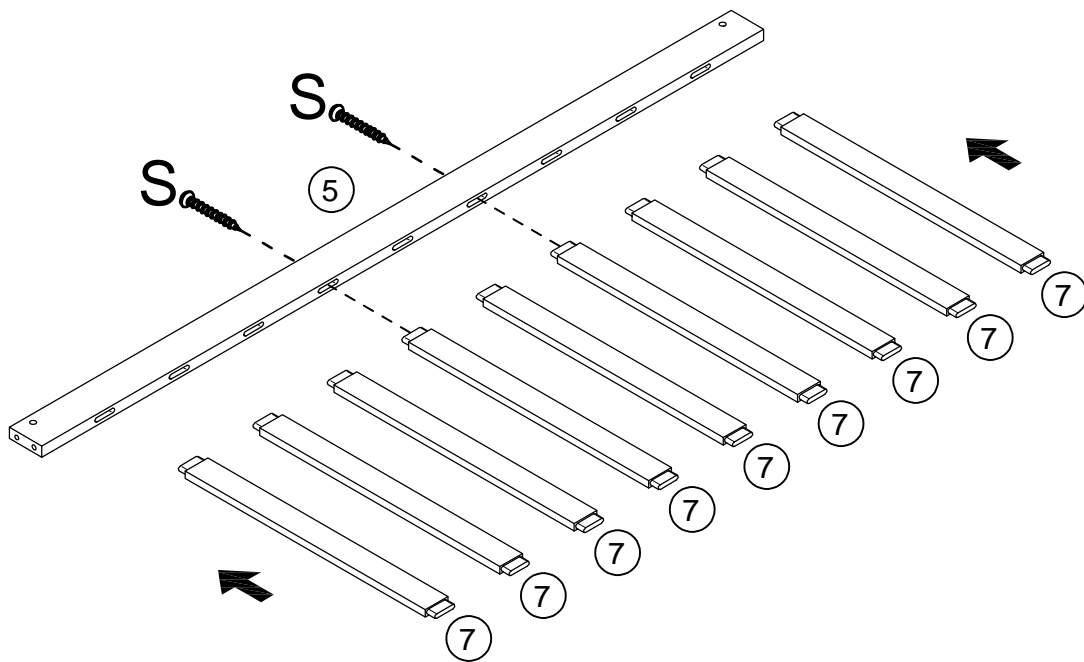
# Birlea®

\*\* You will also need a screwdriver and small mallet (not provided).

Birlea Furniture Limited – Registered Office Unit 6a-1, Birlea Way, West Meadow Rise, Castle Donington, Derbyshire, DE74 2HL, UK

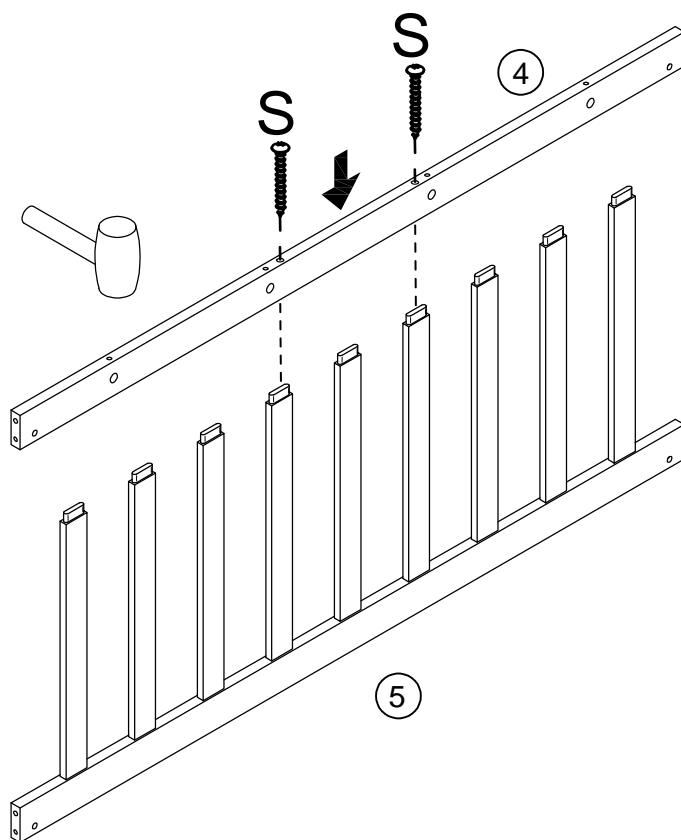
STEP 1:

SX2



STEP 2:

SX2

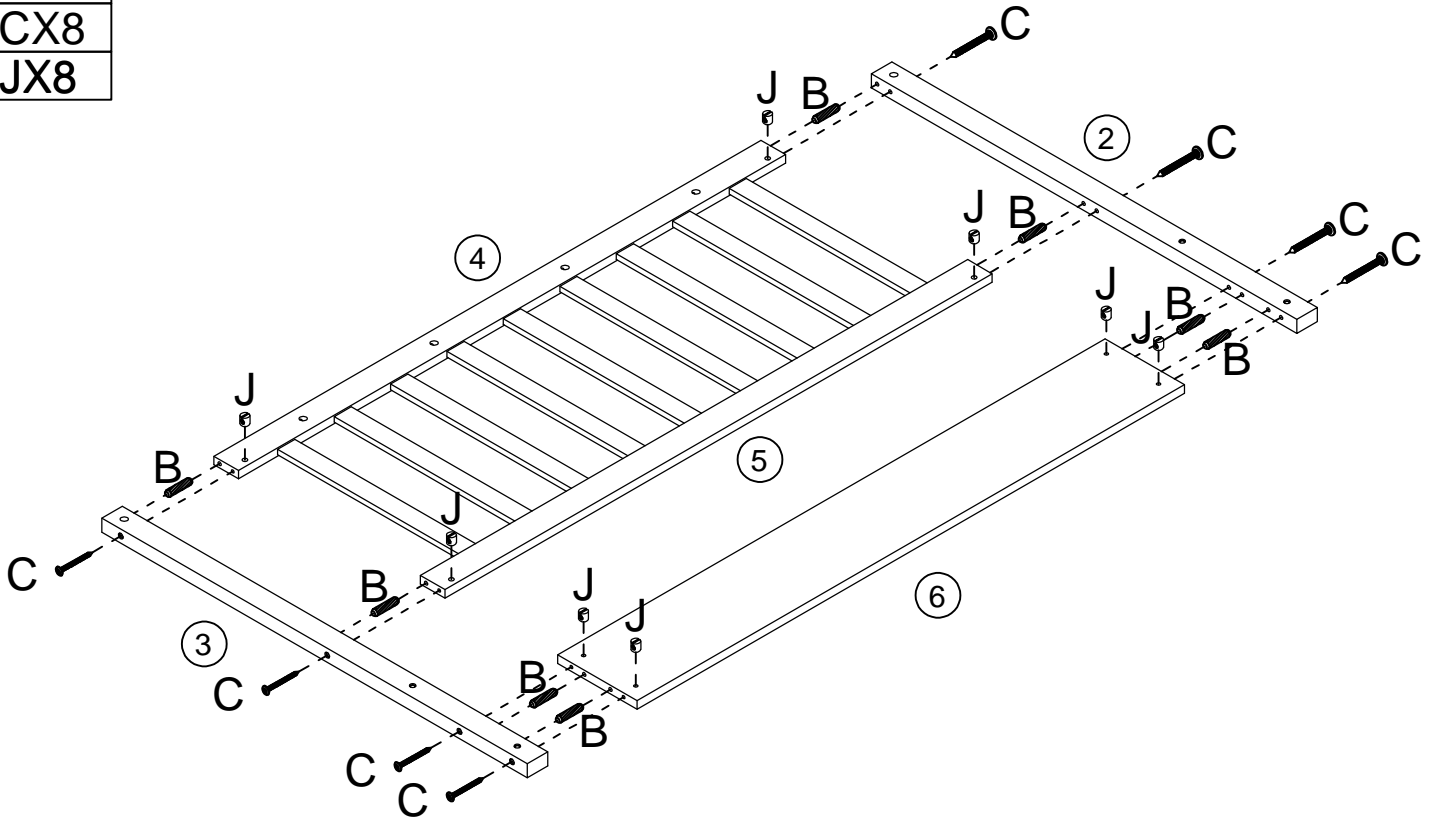


**Birlea**

Birlea Furniture Limited – Registered Office Unit 6a-1, Birlea Way, West Meadow Rise, Castle Donington, Derbyshire, DE74 2HL, UK

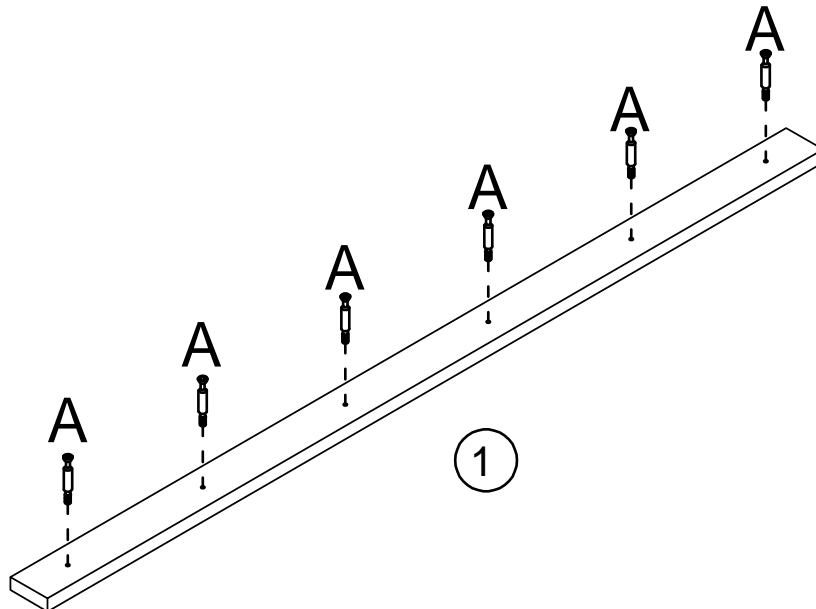
STEP 3:

BX8
CX8
JX8



STEP 4:

AX12
------



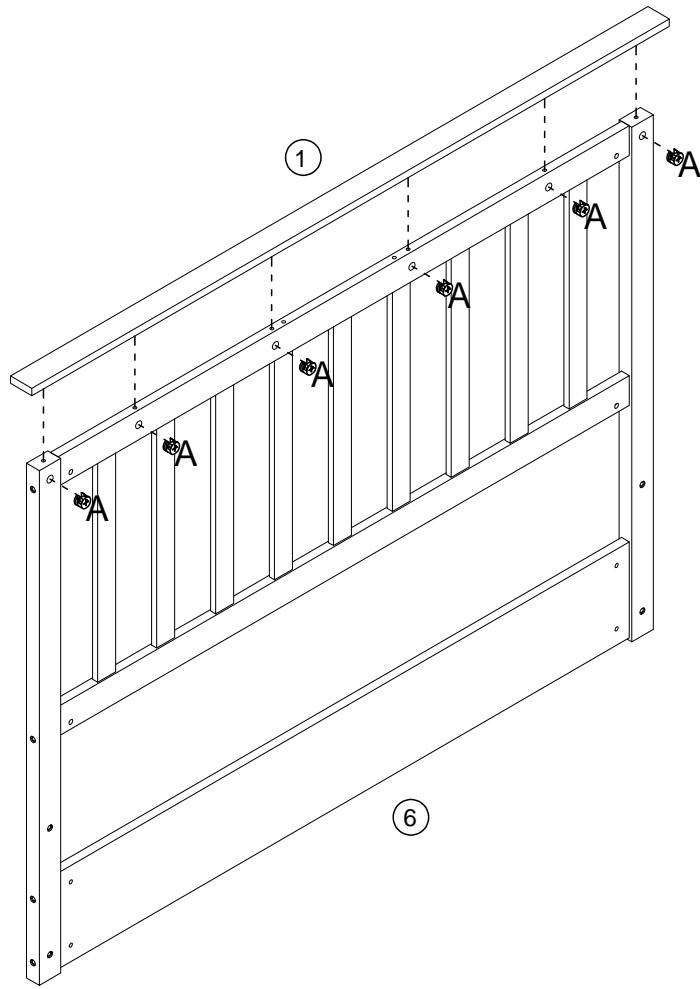
**X2**

**Birlea®**

Birlea Furniture Limited – Registered Office Unit 6a-1, Birlea Way, West Meadow Rise, Castle Donington, Derbyshire, DE74 2HL, UK

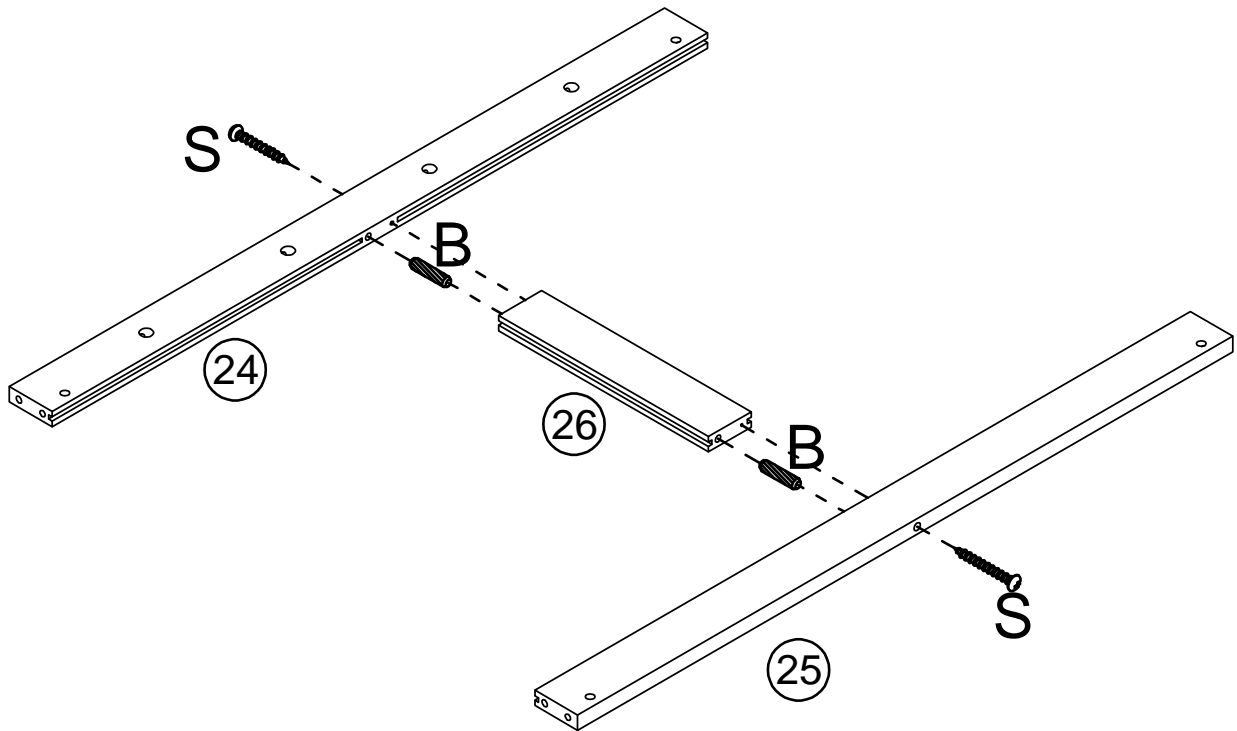
STEP 5:

AX6



STEP 6:

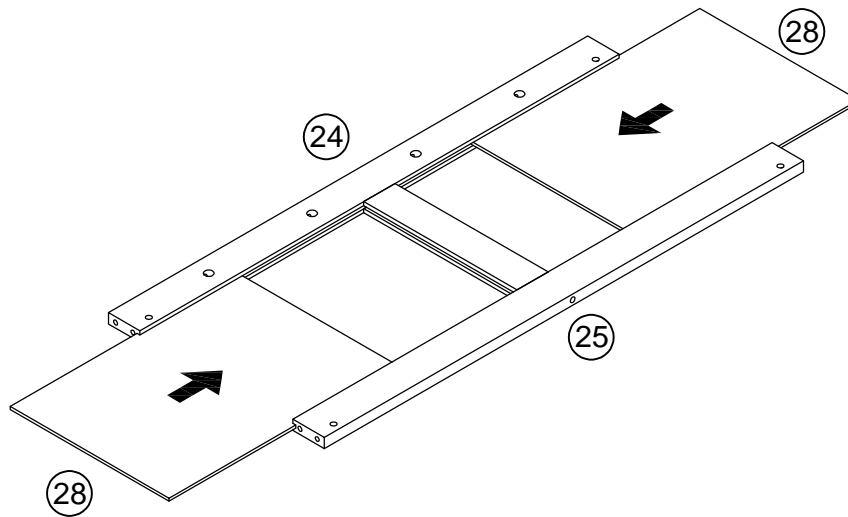
BX2  
SX2



# Birlea®

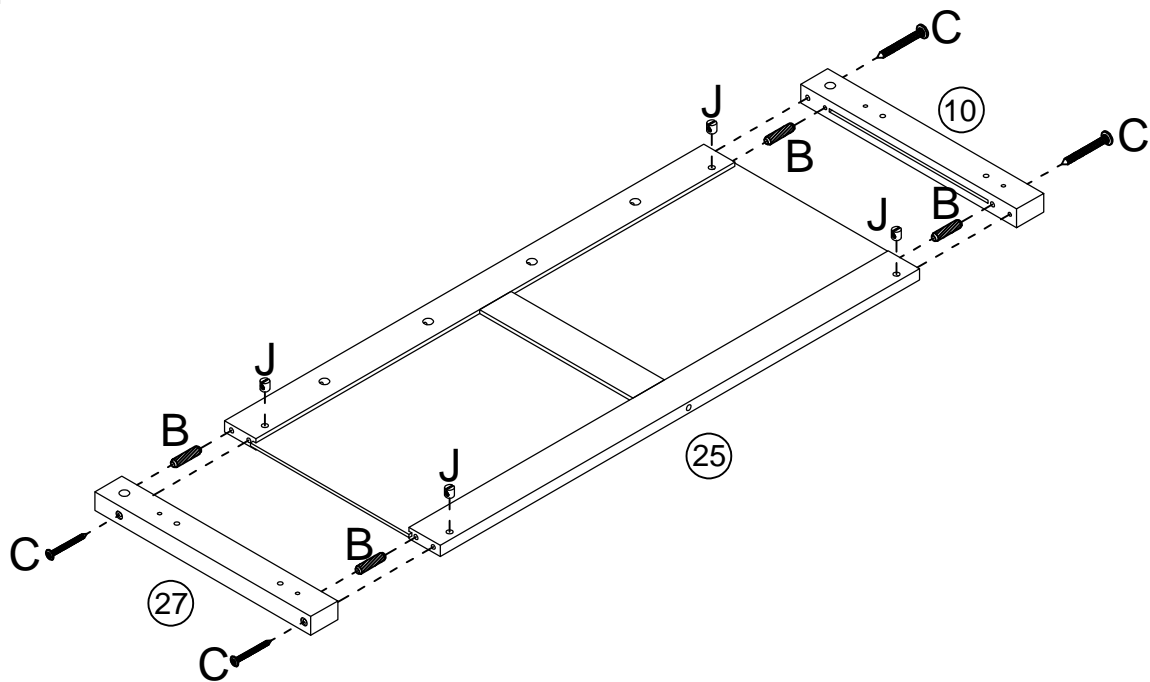
Birlea Furniture Limited – Registered Office Unit 6a-1, Birlea Way, West Meadow Rise, Castle Donington, Derbyshire, DE74 2HL, UK

**STEP 7:**



**STEP 8:**

BX4
CX4
JX4

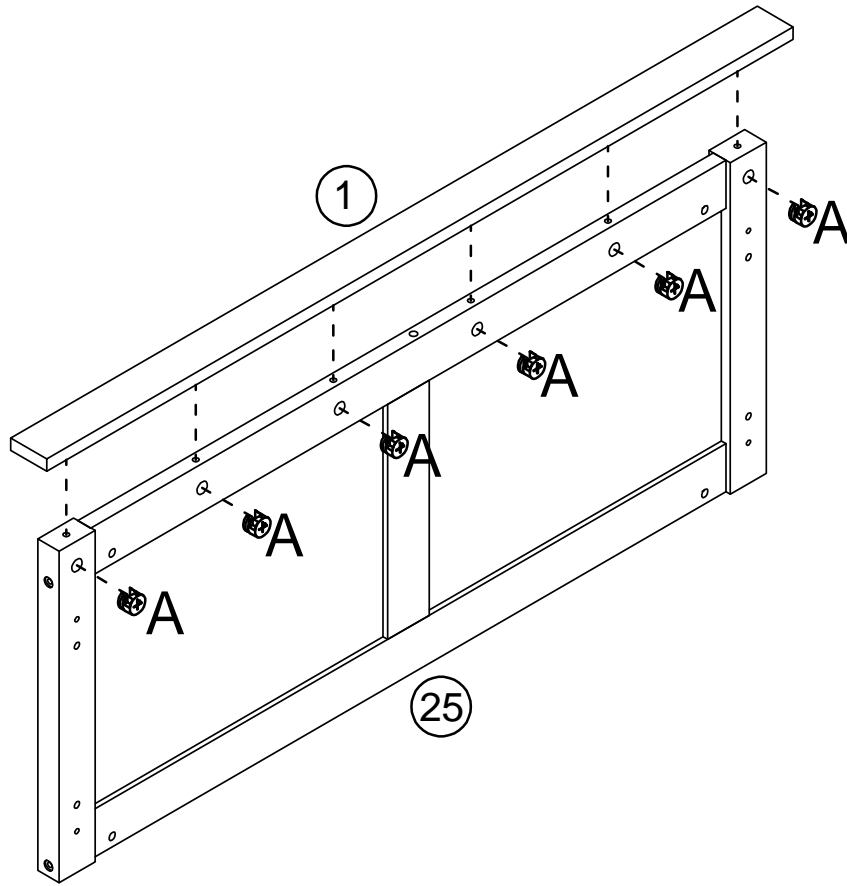


**Birlea**

Birlea Furniture Limited – Registered Office Unit 6a-1, Birlea Way, West Meadow Rise, Castle Donington, Derbyshire, DE74 2HL, UK

STEP 9:

AX6

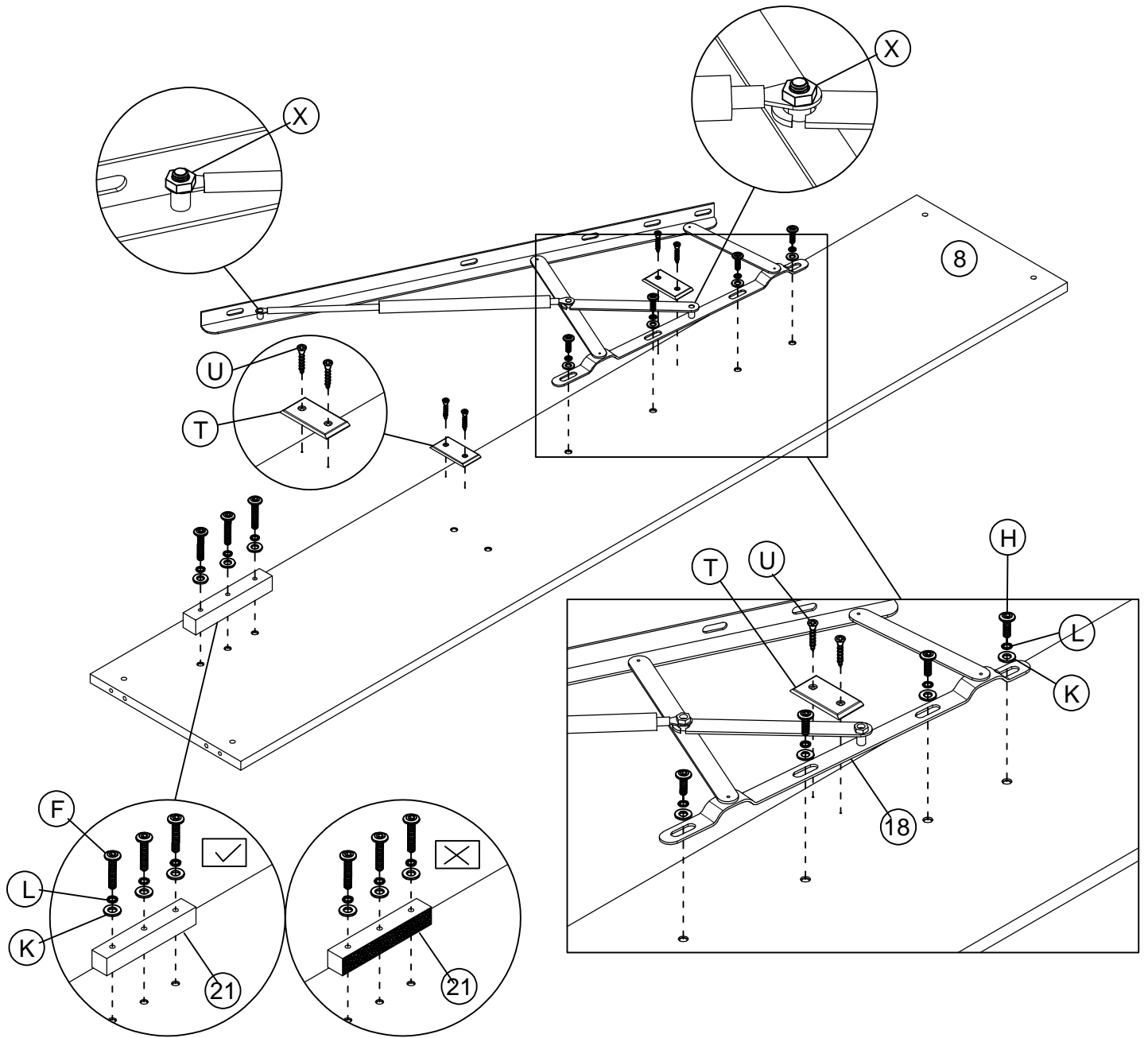
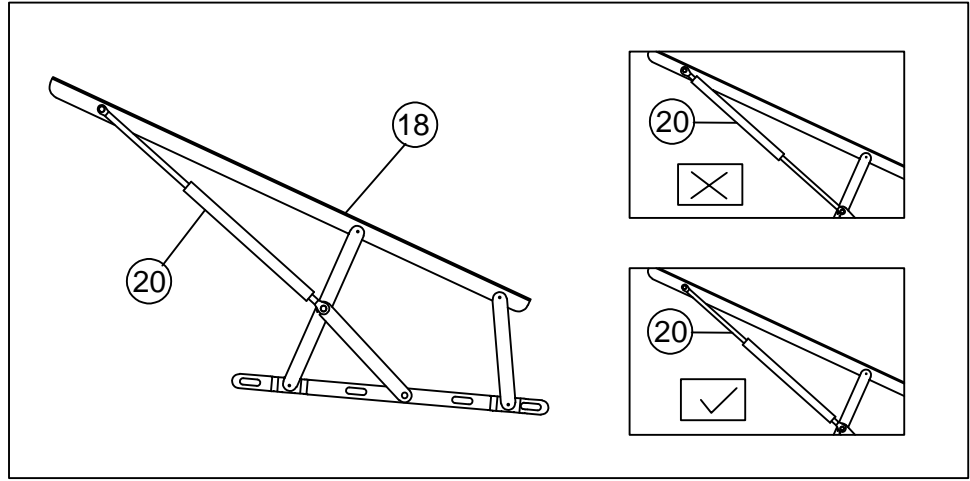


**Birlea**

Birlea Furniture Limited – Registered Office Unit 6a-1, Birlea Way, West Meadow Rise, Castle Donington, Derbyshire, DE74 2HL, UK

**STEP 10:**

FX3
HX4
KX7
LX7
TX2
UX4
XX2

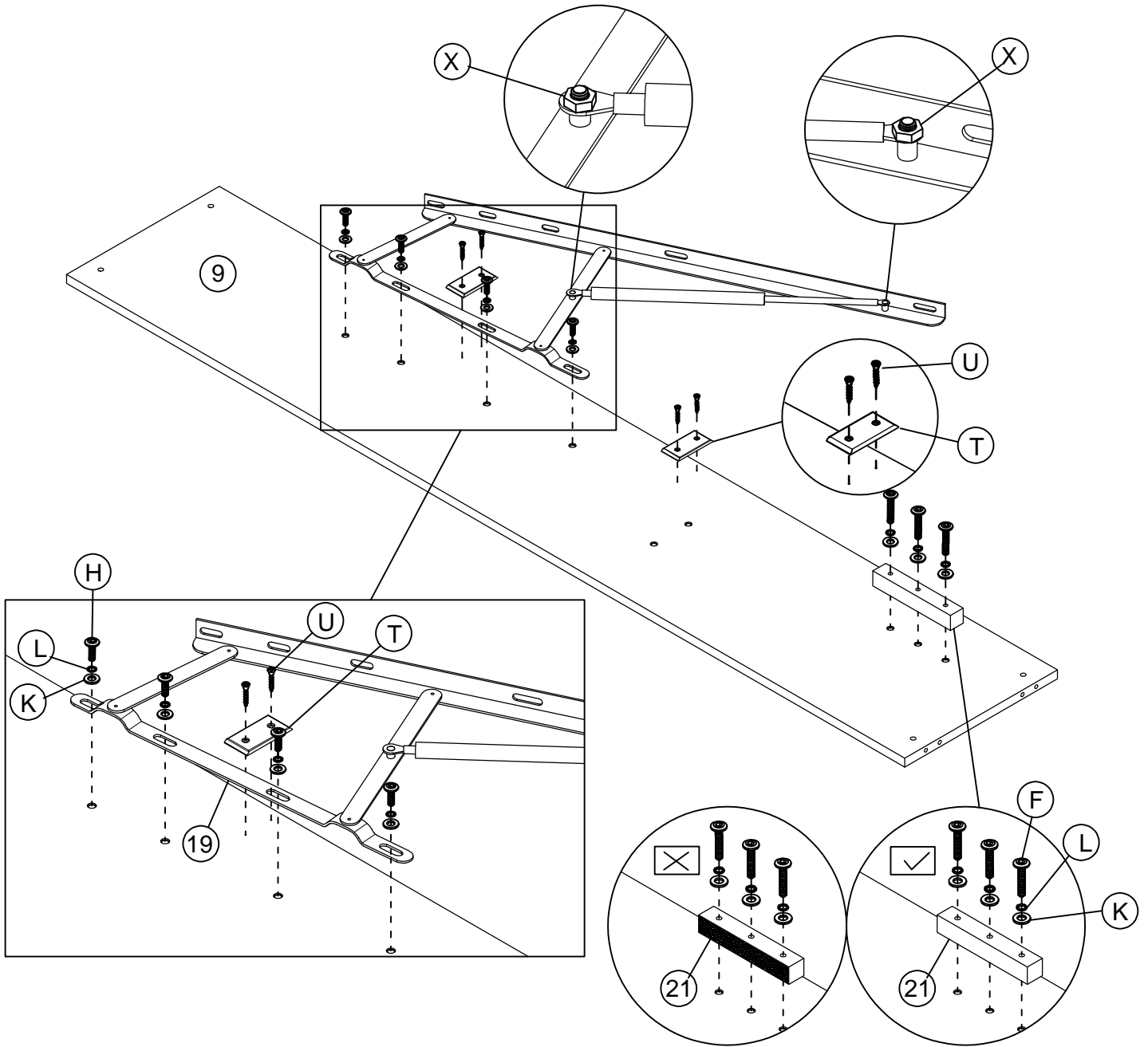
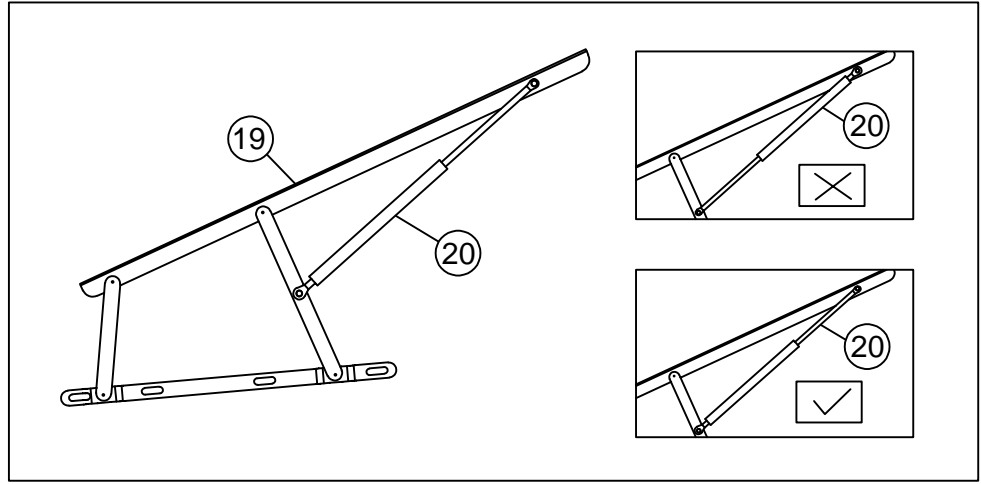


**Birlea®**

Birlea Furniture Limited – Registered Office Unit 6a-1, Birlea Way, West Meadow Rise, Castle Donington, Derbyshire, DE74 2HL, UK

**STEP 11:**

FX3
HX4
KX7
LX7
TX2
UX4
XX2

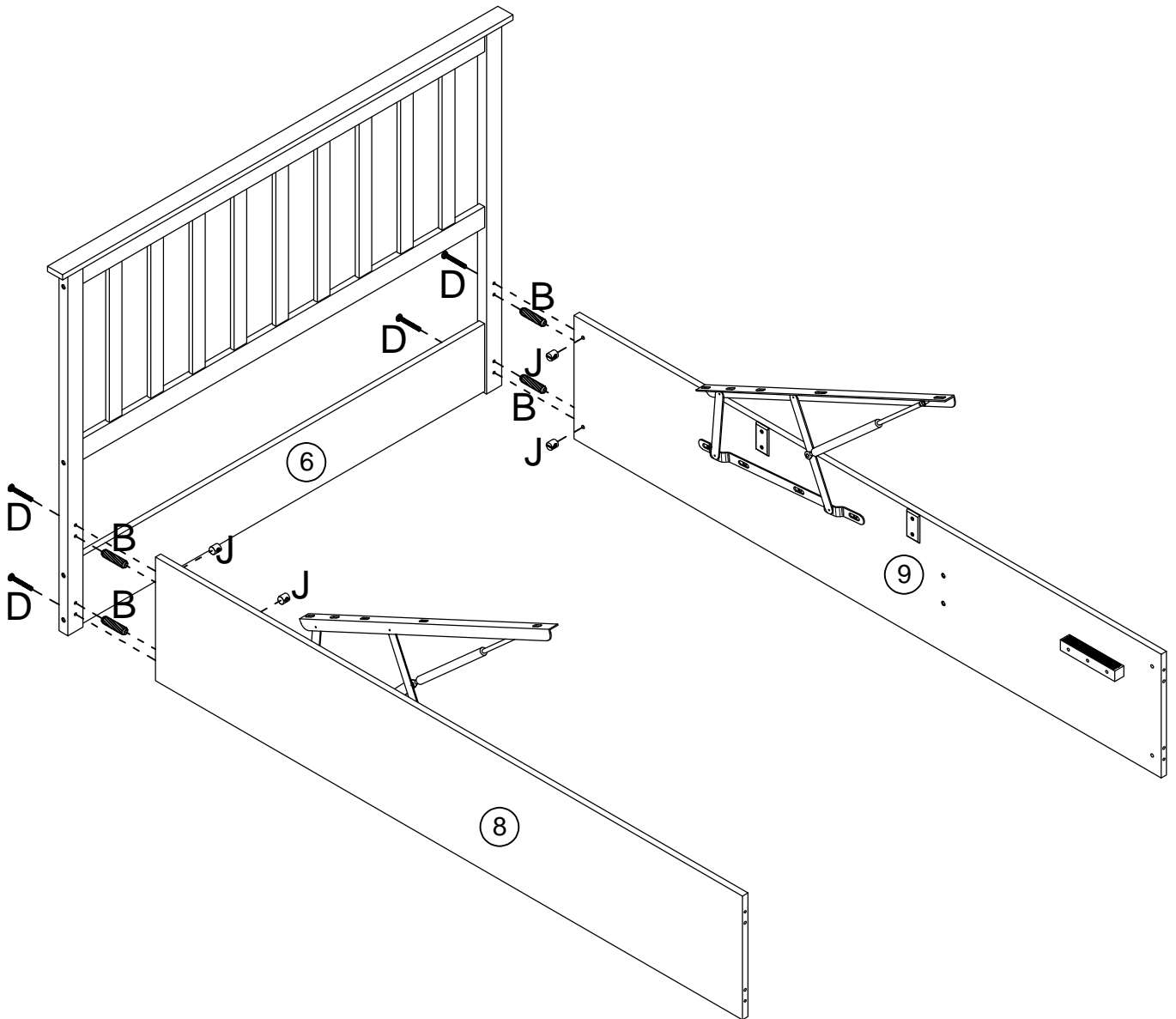


**Birlea**

Birlea Furniture Limited – Registered Office Unit 6a-1, Birlea Way, West Meadow Rise, Castle Donington, Derbyshire, DE74 2HL, UK

STEP 12:

BX4
DX4
JX4

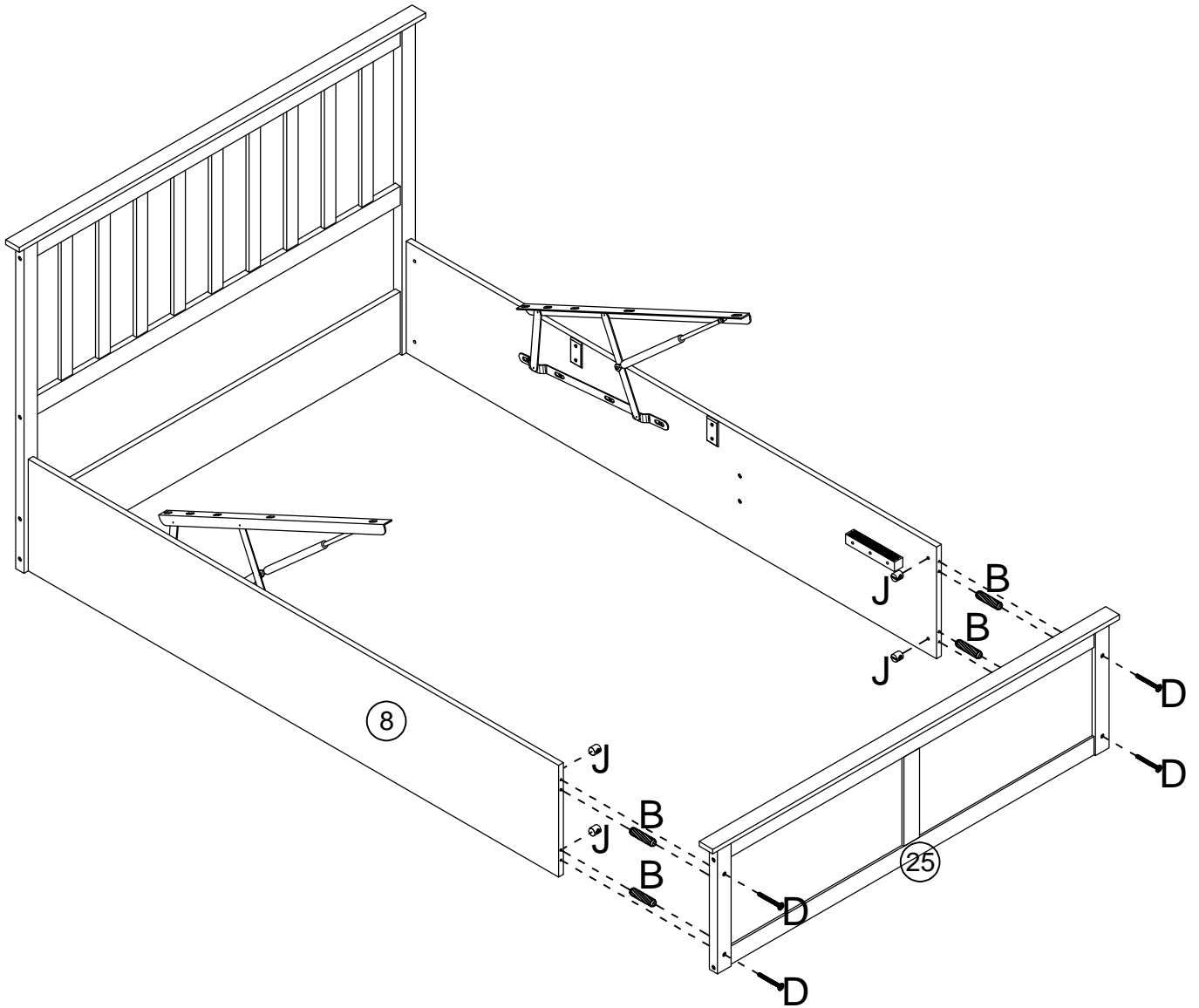


**Birlea**<sup>®</sup>

Birlea Furniture Limited – Registered Office Unit 6a-1, Birlea Way, West Meadow Rise, Castle Donington, Derbyshire, DE74 2HL, UK

STEP 13:

BX4
DX4
JX4

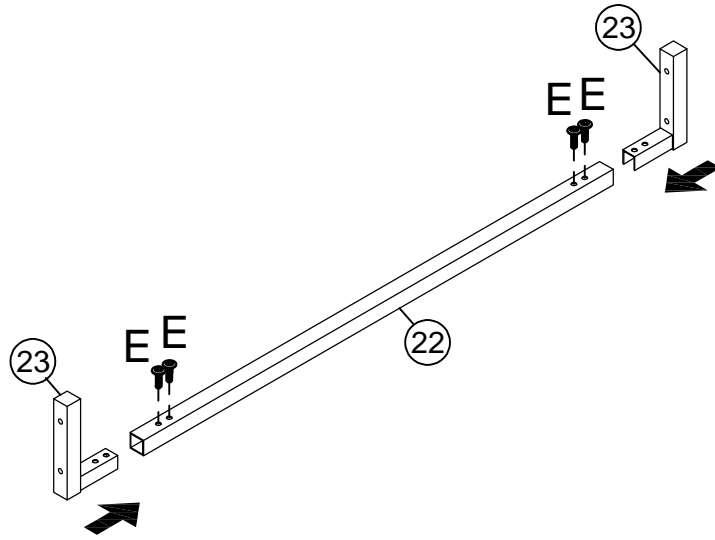


**Birlea**<sup>®</sup>

Birlea Furniture Limited – Registered Office Unit 6a-1, Birlea Way, West Meadow Rise, Castle Donington, Derbyshire, DE74 2HL, UK

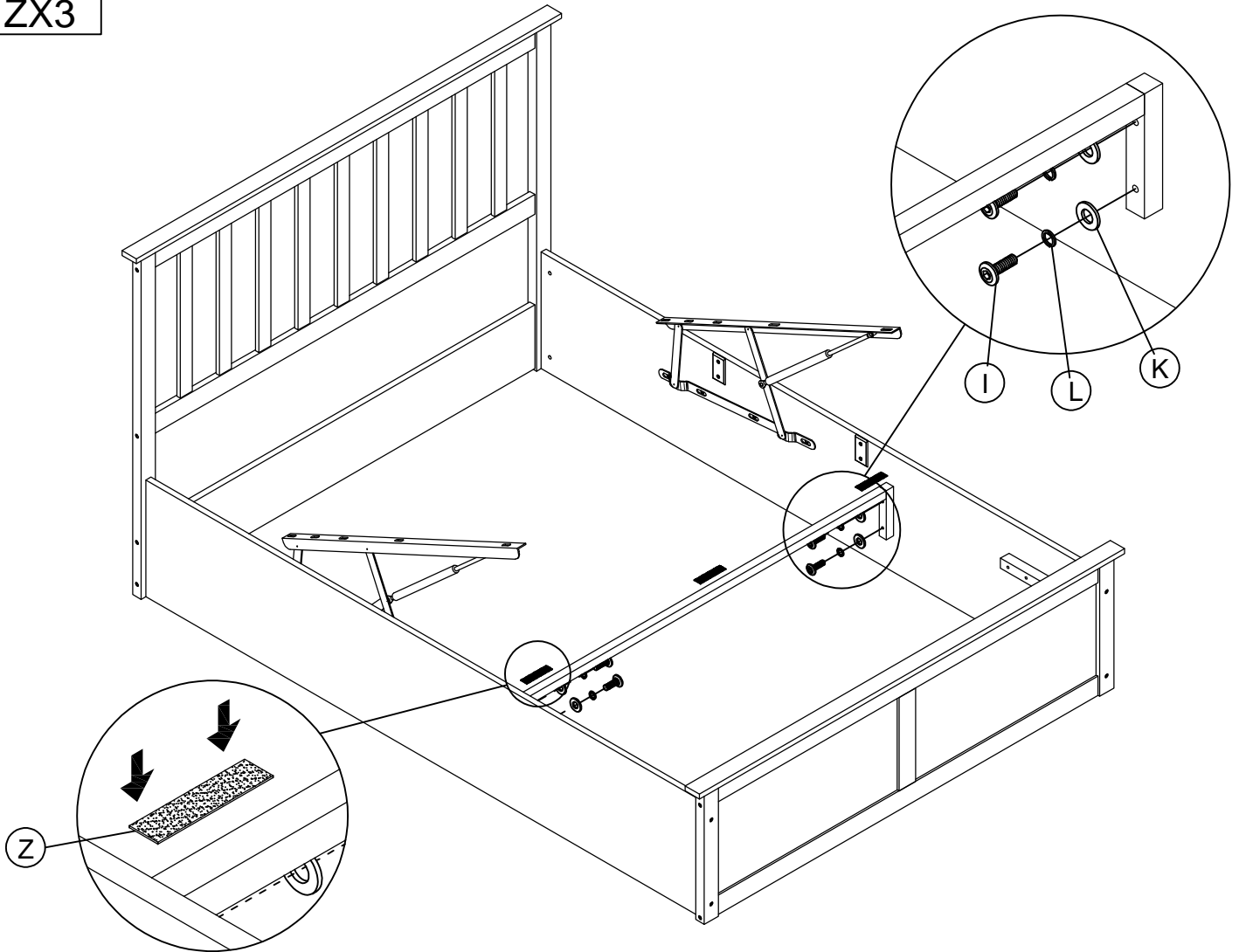
STEP 14:

EX4



STEP 15:

- IX4
- KX4
- LX4
- ZX3

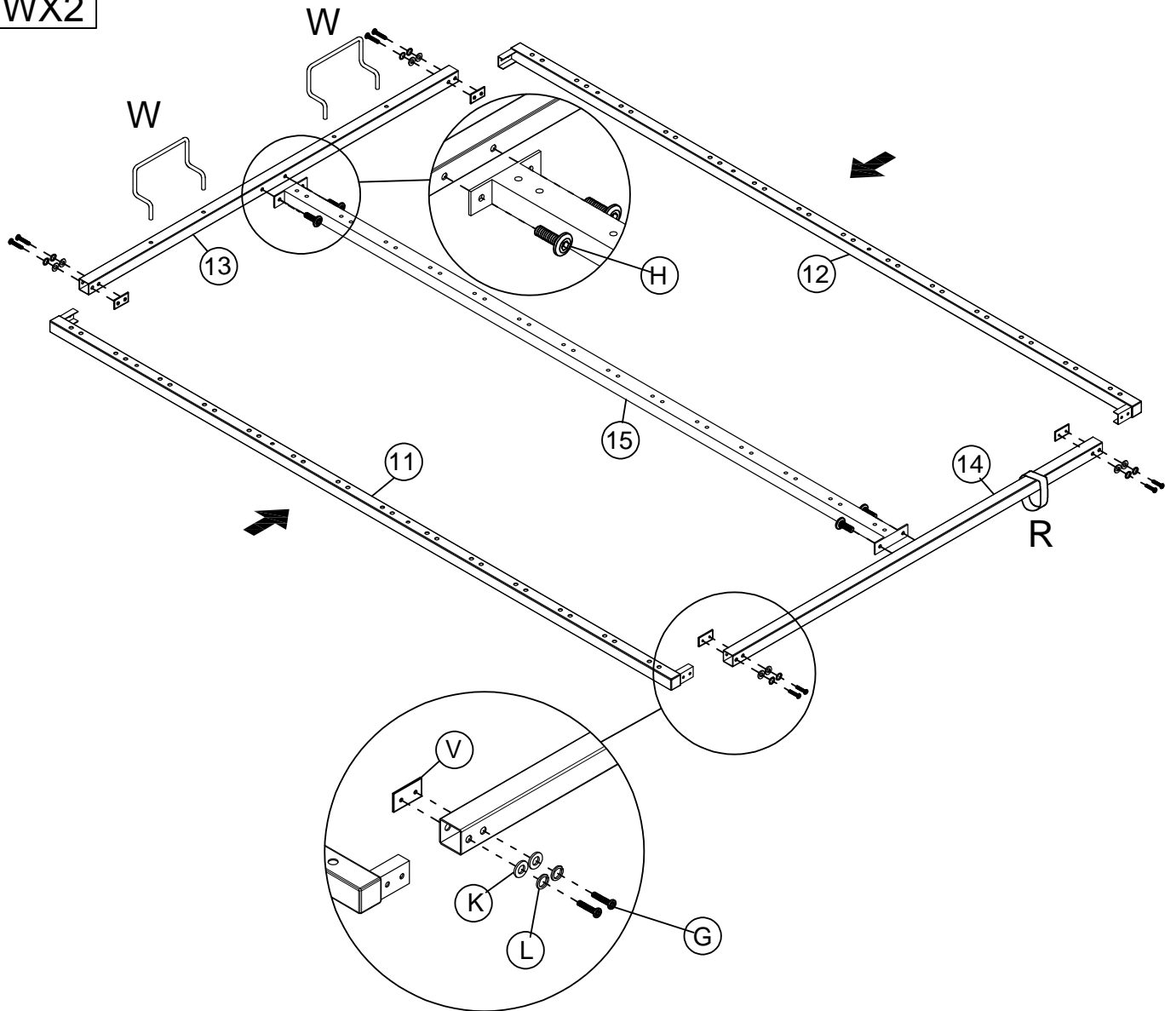


**Birlea**

Birlea Furniture Limited – Registered Office Unit 6a-1, Birlea Way, West Meadow Rise, Castle Donington, Derbyshire, DE74 2HL, UK

STEP 16:

GX8
HX4
KX8
LX8
RX1
VX4
WX2

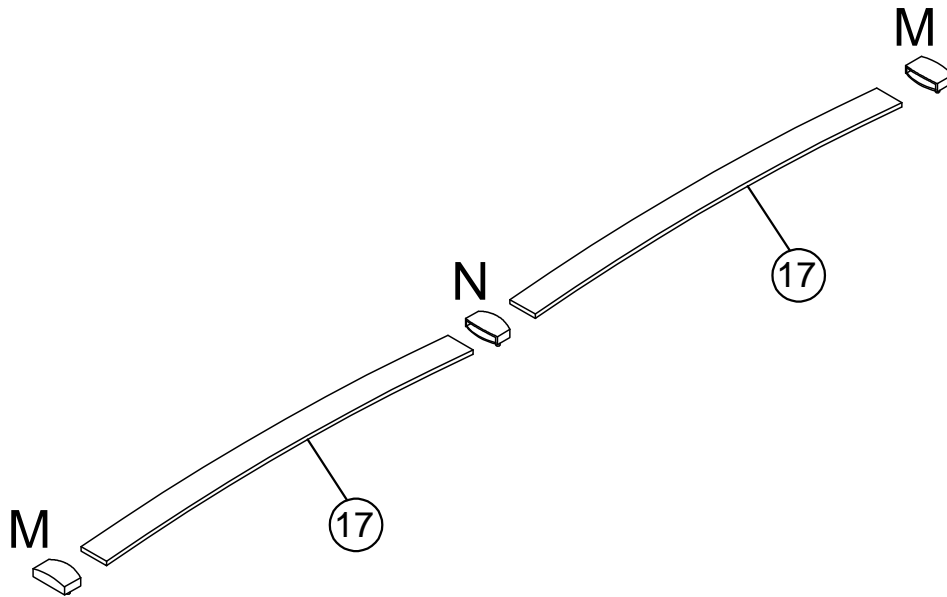


**Birlea**

Birlea Furniture Limited – Registered Office Unit 6a-1, Birlea Way, West Meadow Rise, Castle Donington, Derbyshire, DE74 2HL, UK

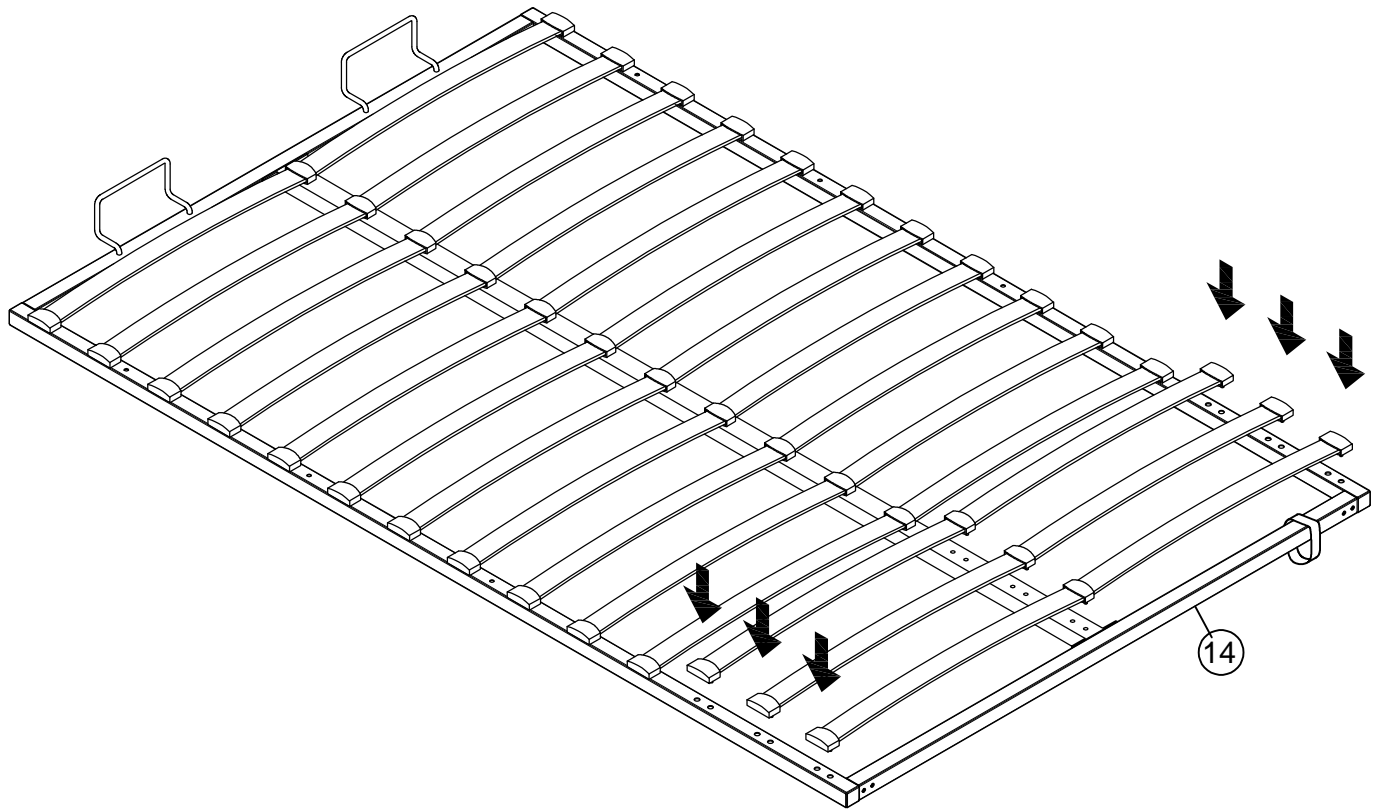
STEP 17:

MX28  
NX14



**X14**

STEP 18:



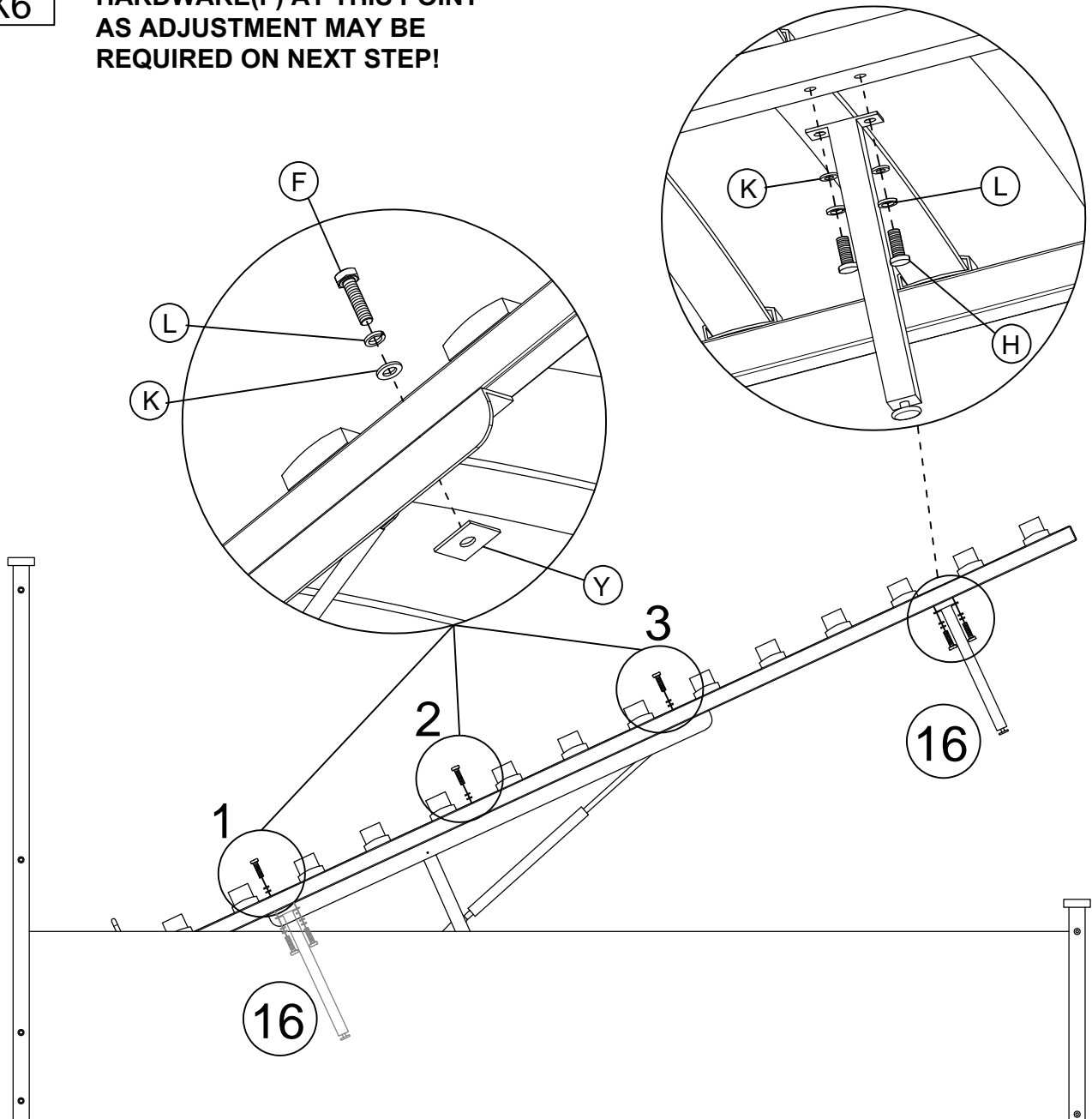
**Birlea**<sup>®</sup>

Birlea Furniture Limited – Registered Office Unit 6a-1, Birlea Way, West Meadow Rise, Castle Donington, Derbyshire, DE74 2HL, UK

**STEP 19:**

HX4
FX6
KX10
LX10
YX6

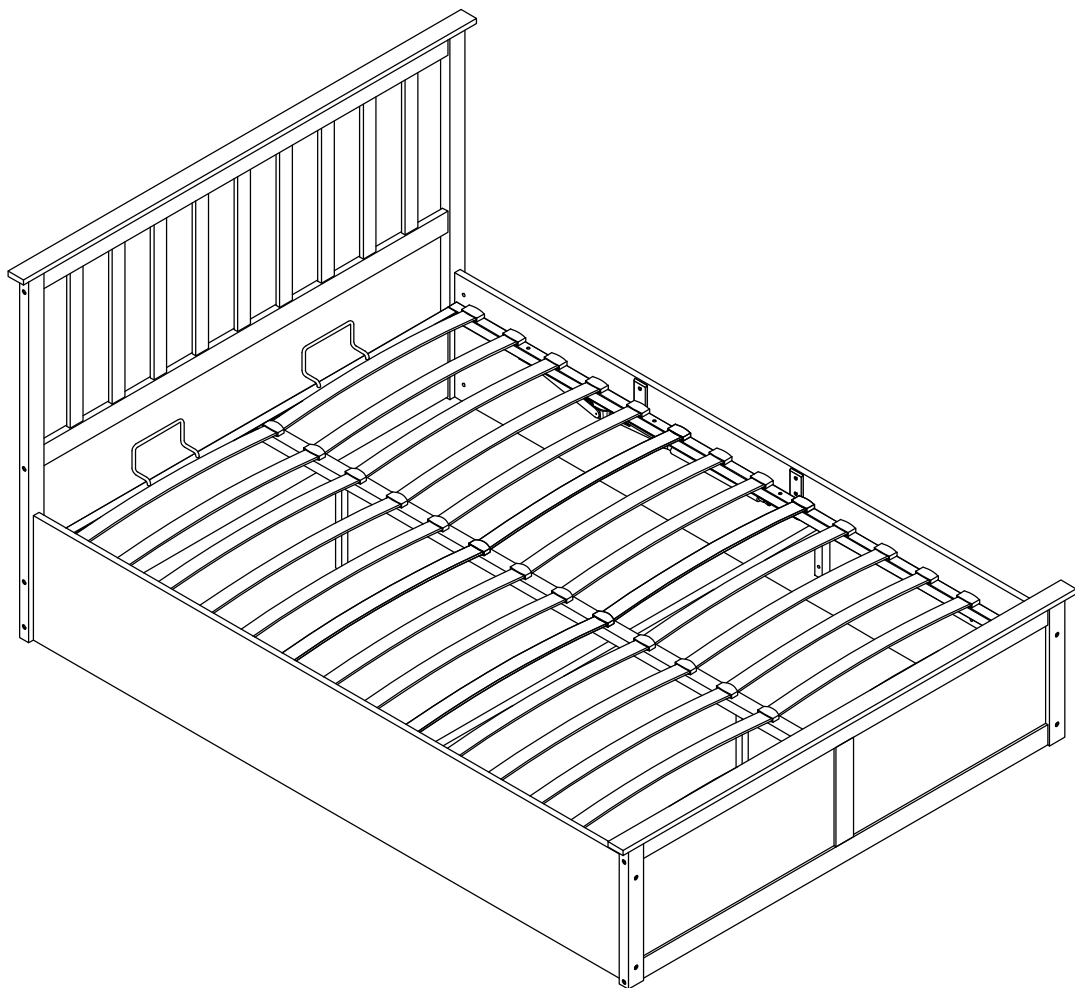
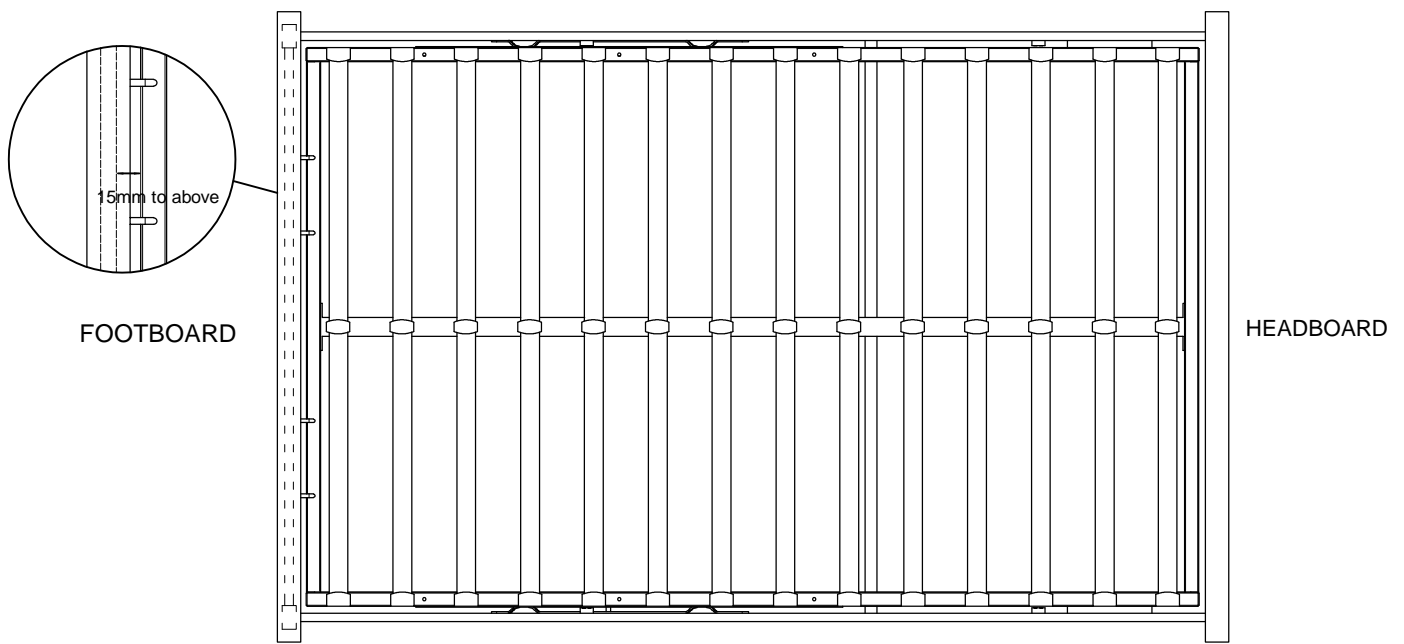
**DO NOT FULLY TIGHTEN  
HARDWARE(F) AT THIS POINT  
AS ADJUSTMENT MAY BE  
REQUIRED ON NEXT STEP!**



**Birlea®**

Birlea Furniture Limited – Registered Office Unit 6a-1, Birlea Way, West Meadow Rise, Castle  
Donington, Derbyshire, DE74 2HL, UK

**STEP 20: Adjust the bed base making sure that the distance to the footboard is approximately **15 mm** to above. Tighten all bolts and screws now.**

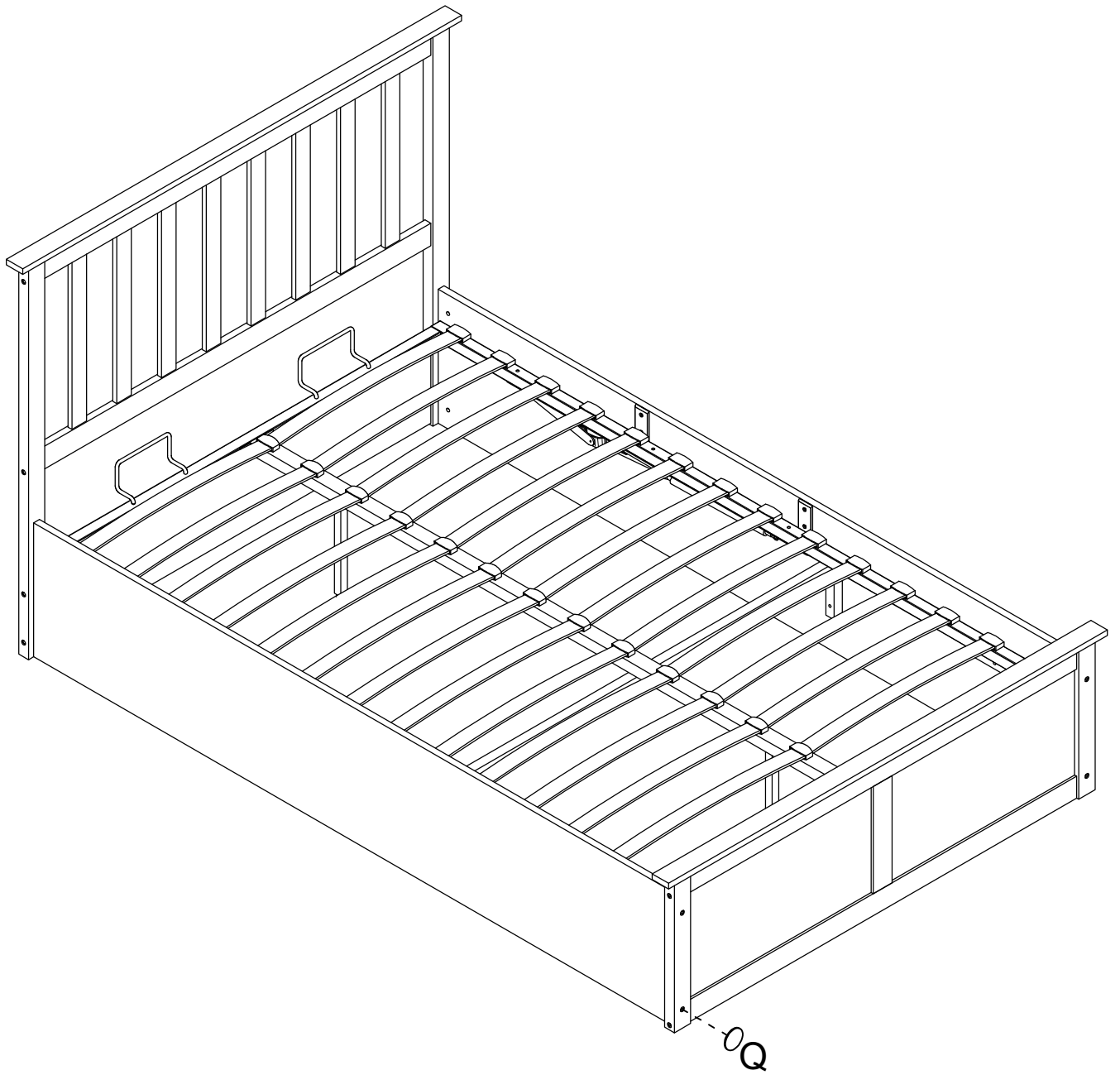


**Birlea**<sup>®</sup>

Birlea Furniture Limited – Registered Office Unit 6a-1, Birlea Way, West Meadow Rise, Castle  
Donington, Derbyshire, DE74 2HL, UK

**STEP 21:**

**QX32**



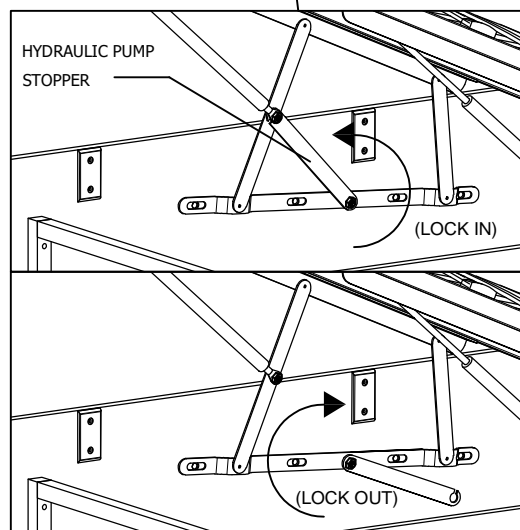
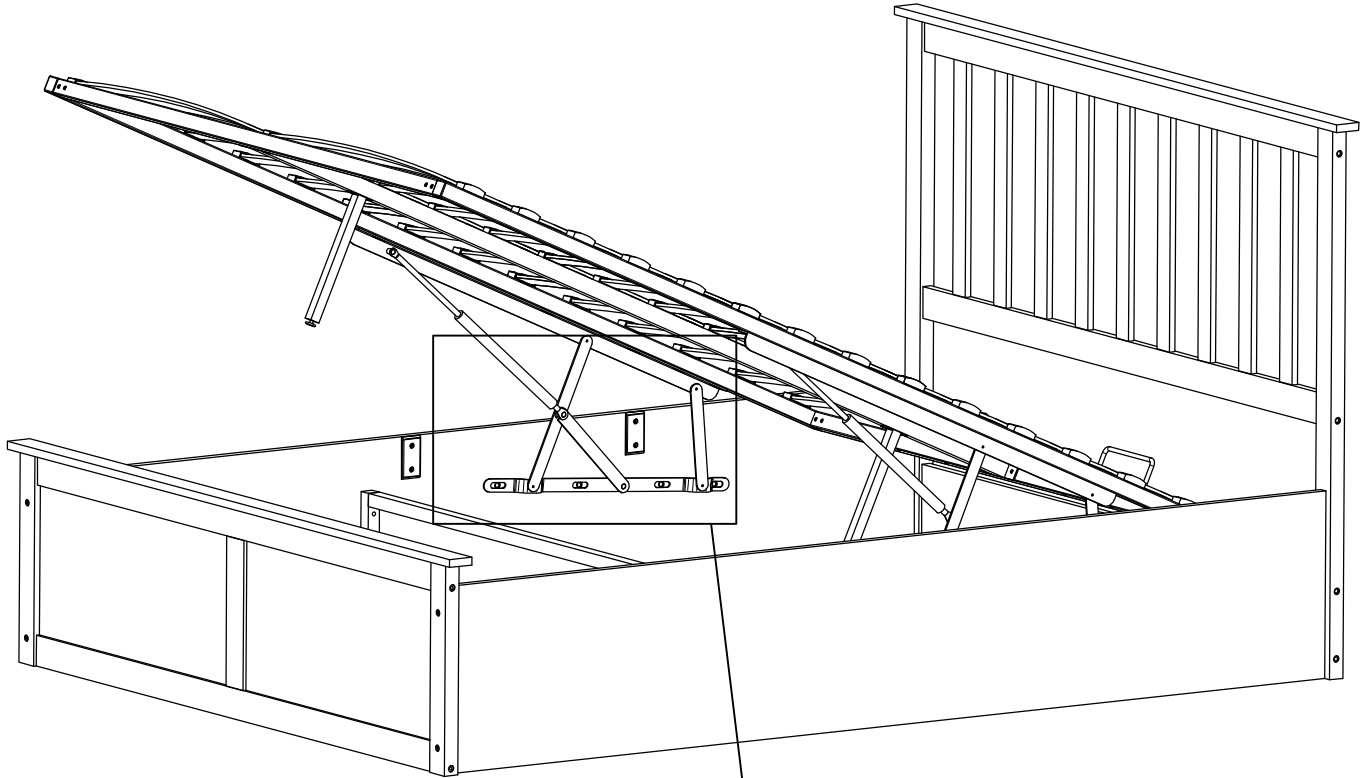
**Birlea®**

Birlea Furniture Limited – Registered Office Unit 6a-1, Birlea Way, West Meadow Rise, Castle Donington, Derbyshire, DE74 2HL, UK

STEP 22:

**CAUTION :**

PLEASE USE HYDRAULIC PUMP STOPPER FOR SAFETY PURPOSE.



**Birlea**<sup>®</sup>

Birlea Furniture Limited – Registered Office Unit 6a-1, Birlea Way, West Meadow Rise, Castle Donington, Derbyshire, DE74 2HL, UK

## Important Ottoman Safety Warnings

- . Caution. This bed uses a pressurised mechanism.
- . Use caution when operating - Always use two hands at arm's length, and only where illustrated on the product.
- . You must ensure the mattress is on the bed frame before lifting the mechanism - Failure to do so may result in injury.
- . Please ensure Children and pets are kept away from the bed when operating the bed mechanism.
- . If removing the mattress, make sure that the frame is secured as it could flip open.
- . Only use the storage compartment when the frame is fully raised in the 'up' position.
- . No children or animals are left unattended when the frame is in the 'up' position.
- . Do not remain on the bed whilst the lifting mechanism is in use.
- . Beware of Entrapment - Keep both hands clear of mechanism when operating the mechanism.
- . When lifting the bed remove all bedding - Except the fitted sheet.



**PLEASE NOTE** that wall fixings are not supplied as different wall materials require different fixing devices. You must use fixings devices suitable for the type of wall you intend to mount product to. Ensure the head of any screw used has a diameter greater than the mounting hole and the fixing is safe and secure before use.



## **WARNING!**

In order to prevent overturning this product must be used with the wall attachment device provided. Serious or fatal crushing injuries can occur from furniture tipping over. To help prevent topple over:-

- Use the wall attachment devices provided
- Never allow children to climb or hang on drawers or doors
- Do not overload the drawer beyond maximum recommended loading
- Place heaviest items in the lower drawers or shelves
- Unless specifically designed to accommodate, do not set TV's or other heavy objects on top of this product
- Never open more than one drawer at a time
- Do not hang things from the doors

An attachment device is provided with your product, however you will need to source suitable fixings for your wall type. If in doubt consult a qualified trades person.

Always ensure that the wall to be drilled into is free from hidden electrical wire, water and gas pipe.

Birlea Furniture advise that the wall straps provided should be used to further enhance the safety of this product.

### **Additional Information:**

- For complete product information, images and dimension diagrams please visit the website [www.birlea.com](http://www.birlea.com)
- If you have any issues with your item please contact the retailer directly you purchased it from who will be able to resolve any issues with Birlea.
- Why don't you send us photos of your assembled furniture to [info@birlea.com](mailto:info@birlea.com) to be shared in our #birleahome feature on instagram.

# **Birlea**

Birlea Furniture Limited – Registered Office Unit 6a-1, Birlea Way, West Meadow Rise, Castle Donington, Derbyshire, DE74 2HL, UK