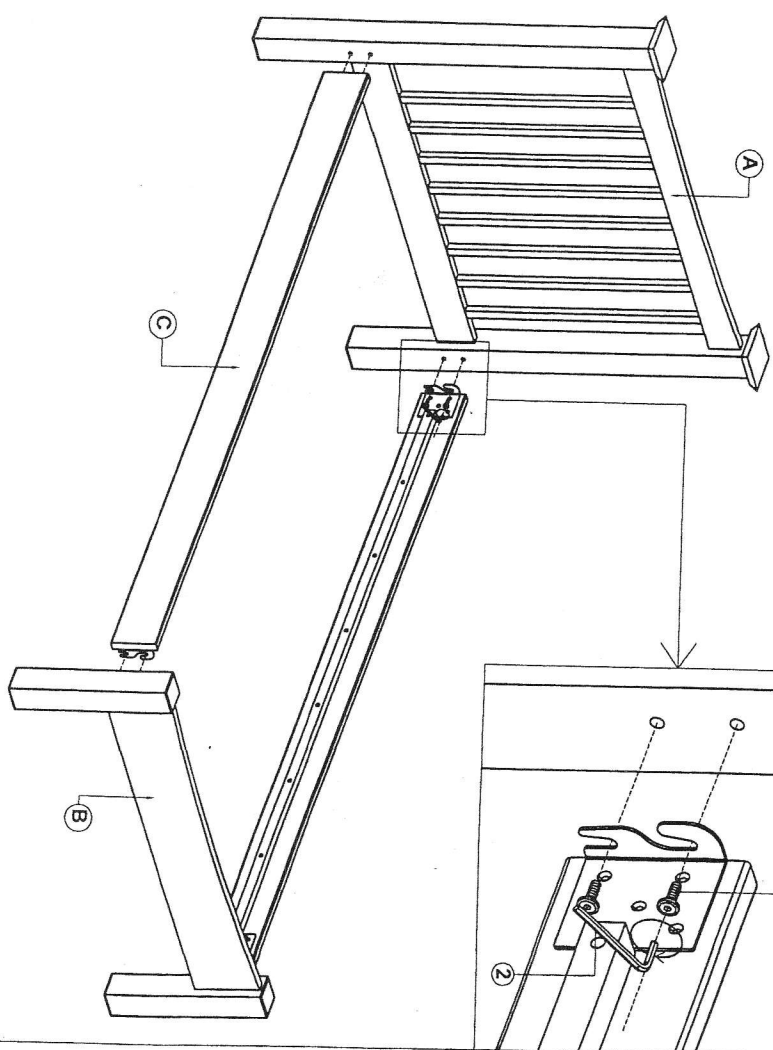


STEP 1

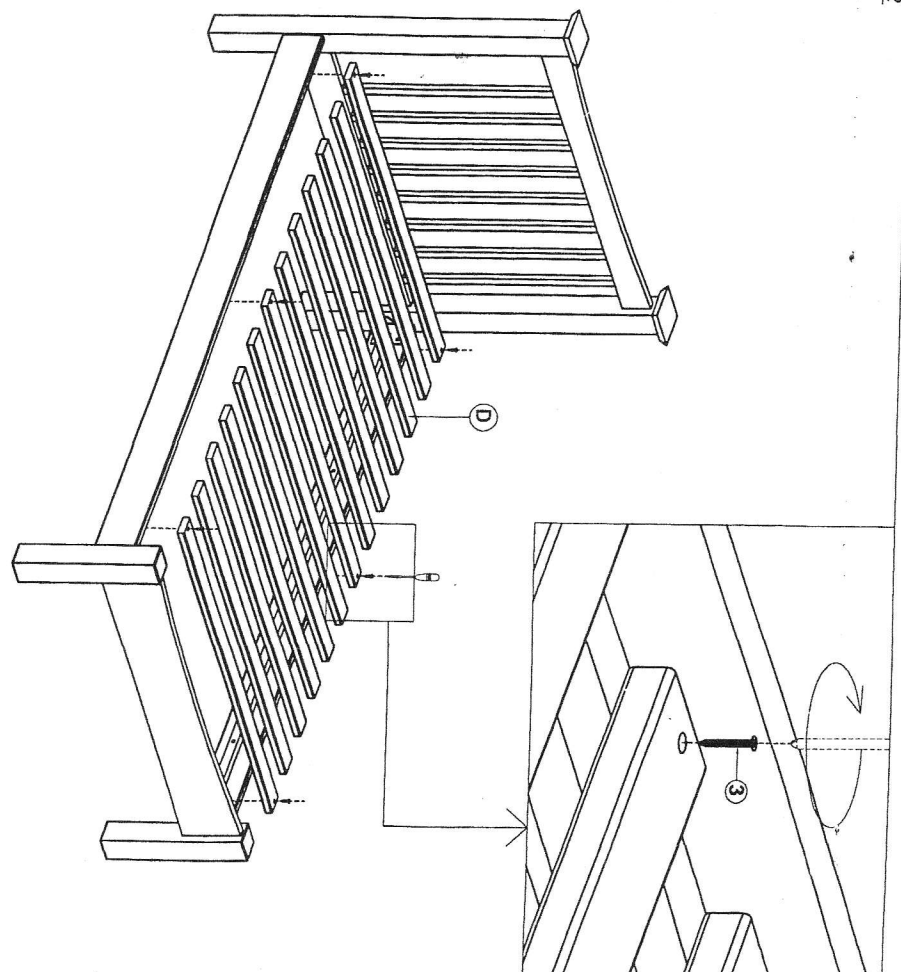
ASSEMBLY INSTRUCTION

ASTON BED 3'0" - L1920 x W920 x H1025

STEP 2

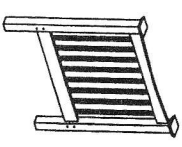


COMPLETED

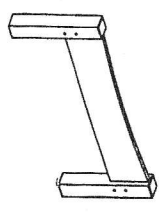


PARTS LISTS

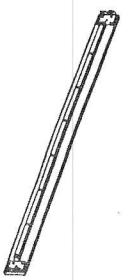
A = 01



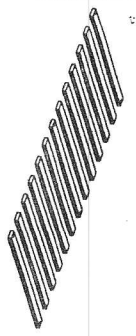
B = 01



C = 02



D = 01



HARDWARE LISTS

No.	HARDWARE	QTY
1	Bolt: M6 x 20	08
2	Allen Key K4	01
3	Screw: M4x30	06