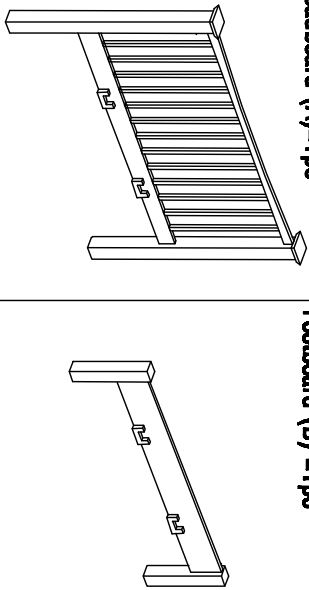


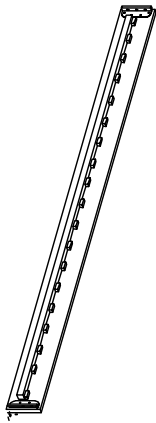
# ASSEMBLY INSTRUCTION ASTON 6' BED

Headboard (A)=1pc

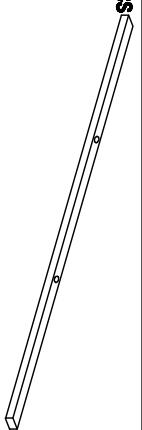
Footboard (B) =1pc



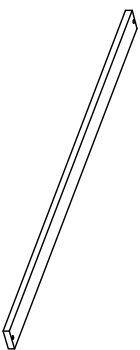
Siderail (C) =2pcs



middle rail (D)= 2 pcs



Slat frame (E) =13pcs



Center leg (F) = 4 pcs



1



M6 x 15 = 8 pcs

2



M4 x 30 = 26 pcs

3



M6 x 50 = 4 pc

4



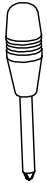
4 x 30 x 60 = 1pc

5



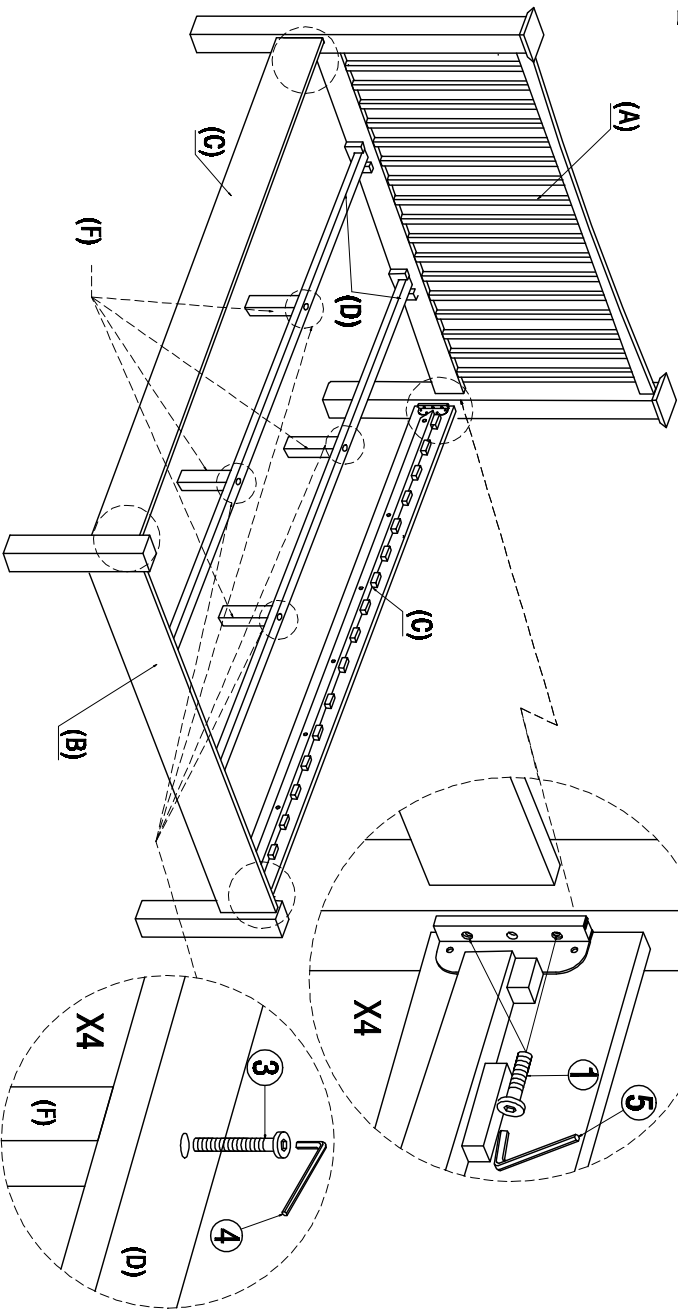
5 x 30 x 110 = 1pc

6



Screw driver not provided

## Step 1



## Step 2

