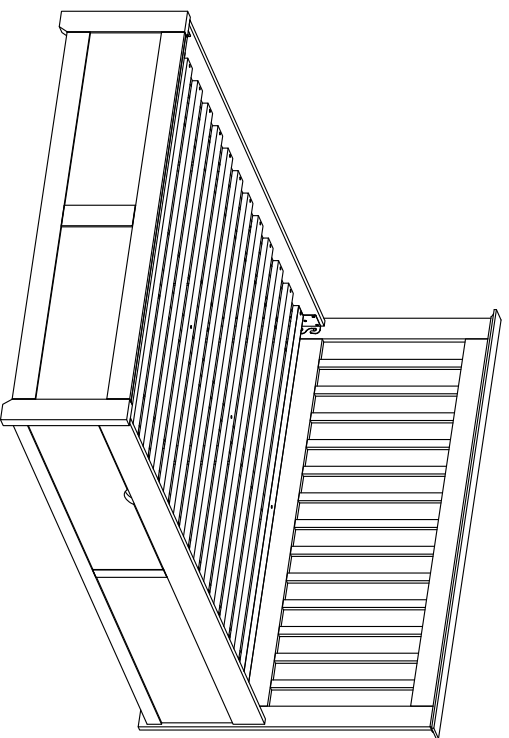
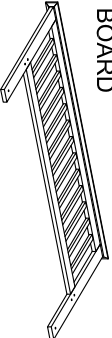
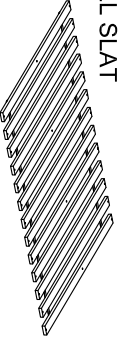
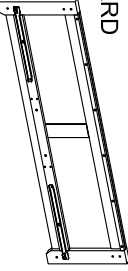
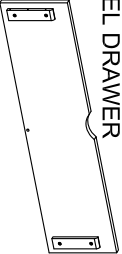
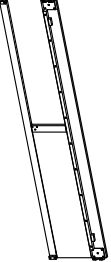

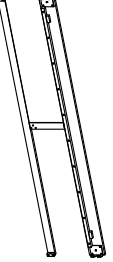




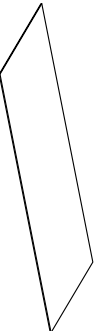





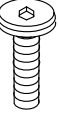
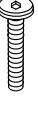




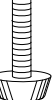

ITEM NO.: PENTRE 5'FT KING BED

ASSEMBLY INSTRUCTIONS

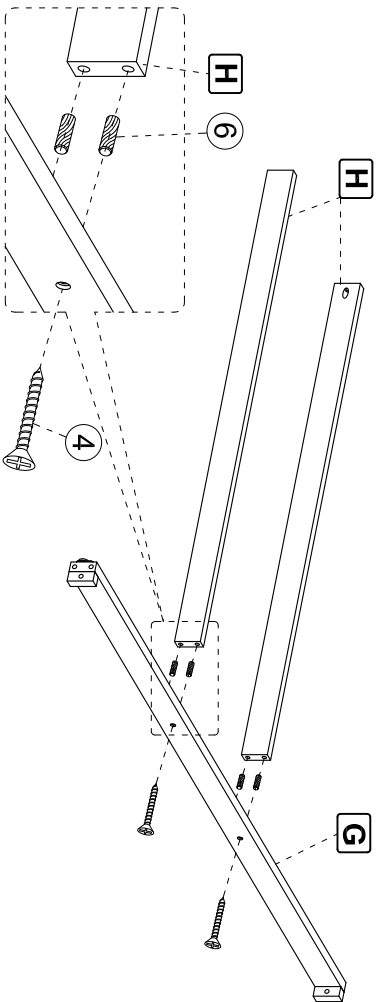


PART LIST

ITEM	DESCRIPTION	QTY	ITEM	DESCRIPTION	QTY
A	HEAD BOARD 	1pc	I	ROLL SLAT 	1pc
B	FOOT BOARD 	1pc	J	FRONT PANEL DRAWER 	2pcs
C	RIGHT RAIL 	1pc	K	BACK PANEL DRAWER 	2pcs
D	LEFT RAIL 	1pc	L	LEFT SIDE PANEL DRAWER 	2pcs
E	SUPPORT BAR (1) 	1pc	M	RIGHT SIDE PANEL DRAWER 	2pcs
F	SUPPORT LEG 	2pcs	N	BOTTOM PANEL DRAWER 	2pcs
G	SLIDER BAR 	1pc	O	BOTTOM SUPPORT DRAWER 	2pcs
H	SUPPORT BAR (2) 	2pcs			

ITEM	HARDWARE LIST	QTY
1	(Ø8x20 mm) HEXAGON BOLTS 	8pcs
2	(Ø6x35 mm) HEXAGON BOLTS 	6pcs
3	(Ø7x45 mm) ALLEN HEAD SCREW 	2pcs
4	Ø4x30 mm SCREW 	36pcs
5	Ø4x25 mm SCREW 	24pcs
6	Ø8 x 40mm WOOD DOWEL 	20pcs
7	(Ø6x25 mm) STANDER 	2pcs
8	K4 HEX KEY 	1pc

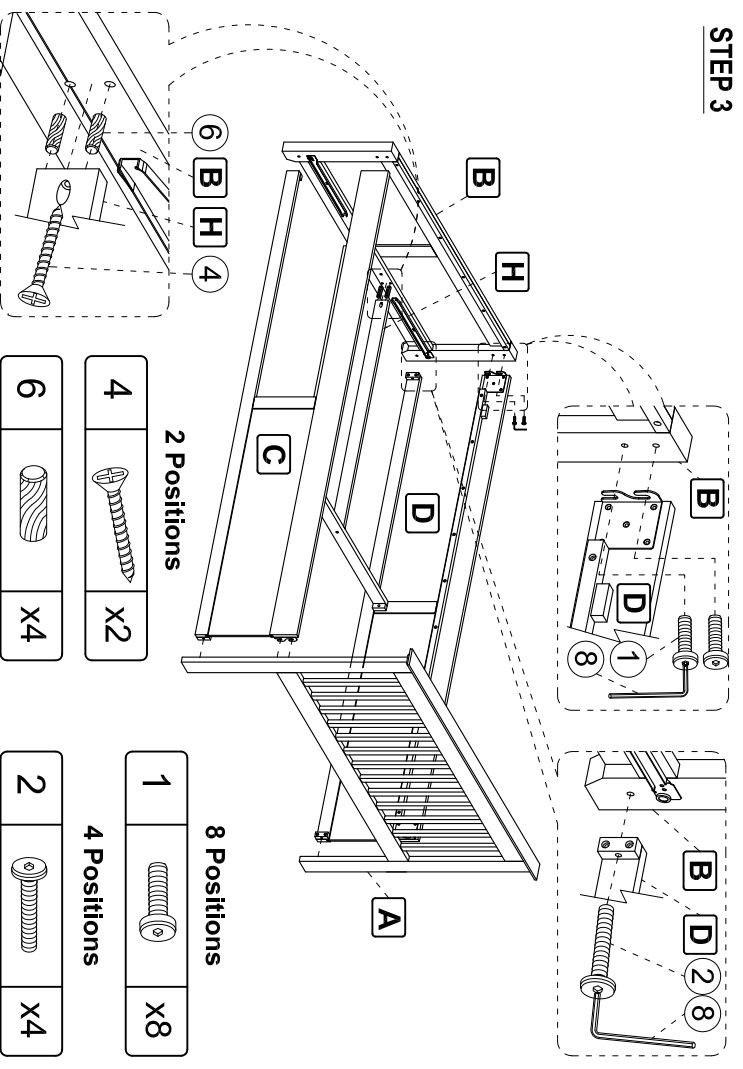
STEP 1



2 Positions

4		X2
6		X4

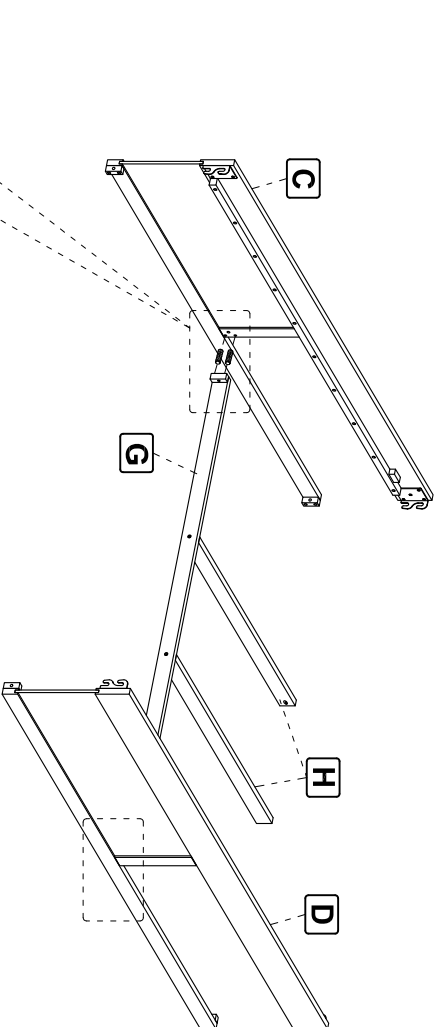
STEP 3



8 Positions

1		X8
2		X4
4		X2
6		X4

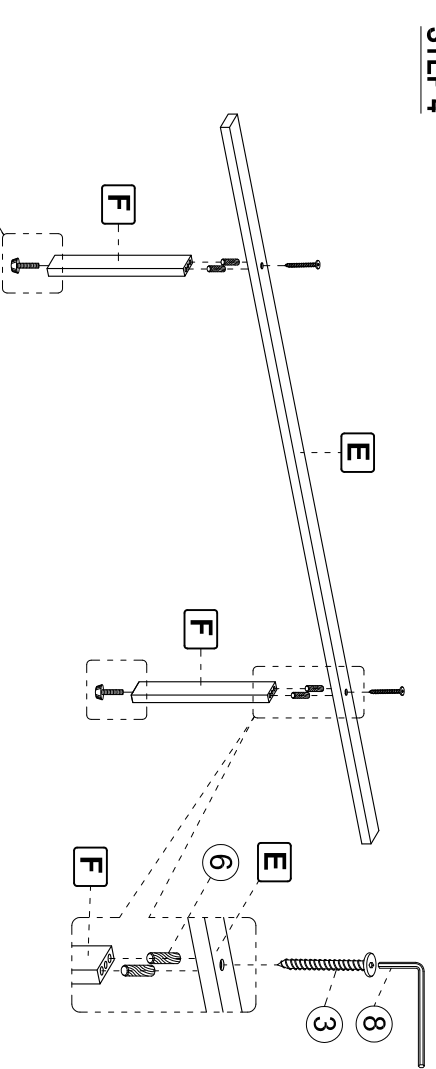
STEP 2



2 Positions

2		X2
6		X4

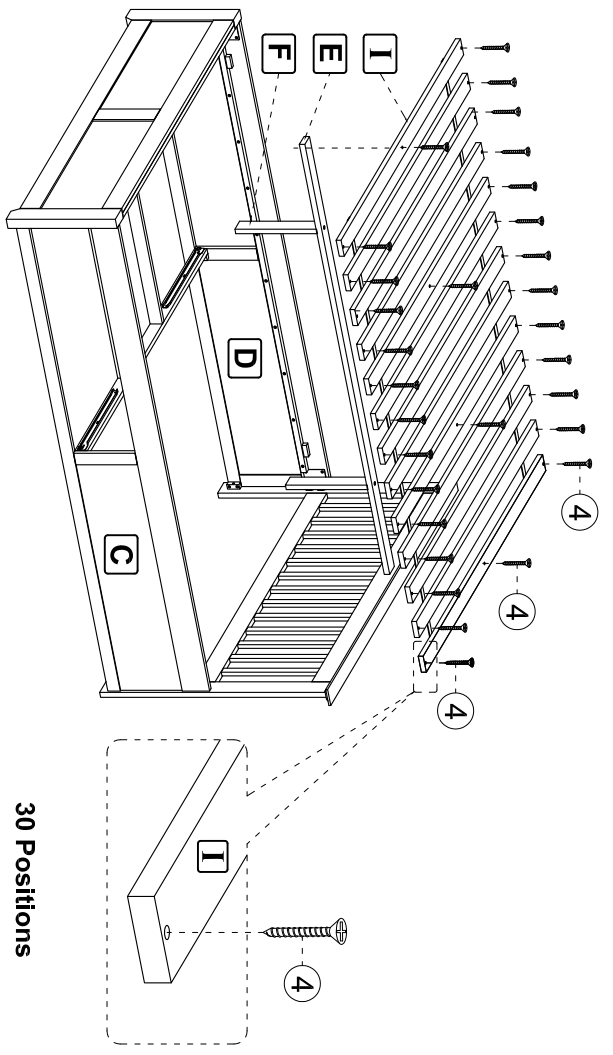
STEP 4



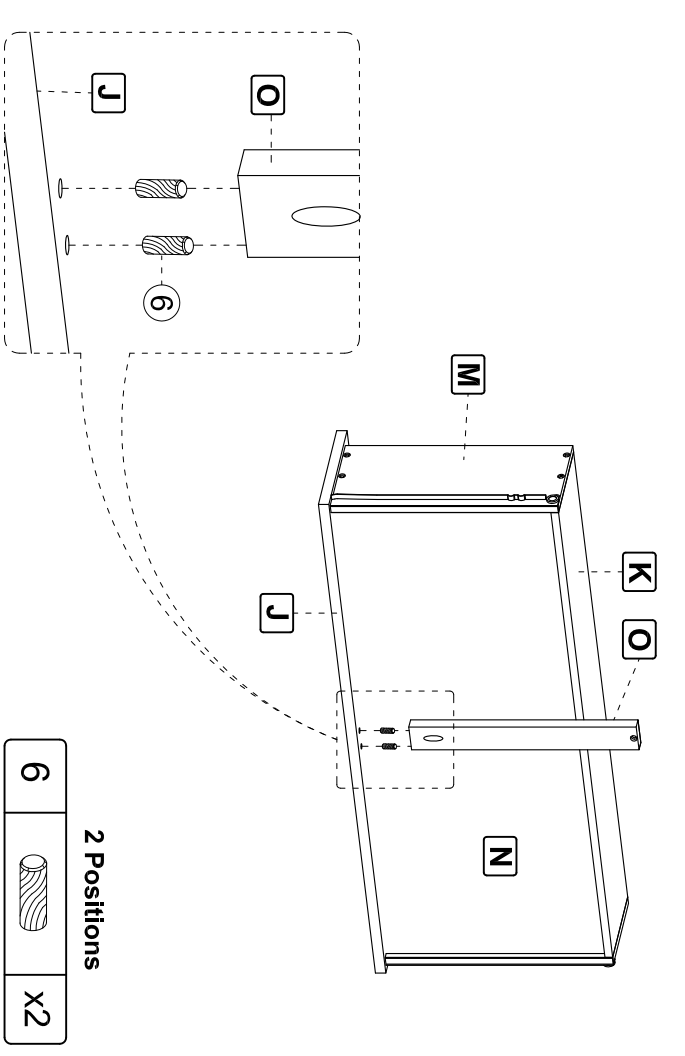
2 Positions

3		X2
6		X4
7		X2

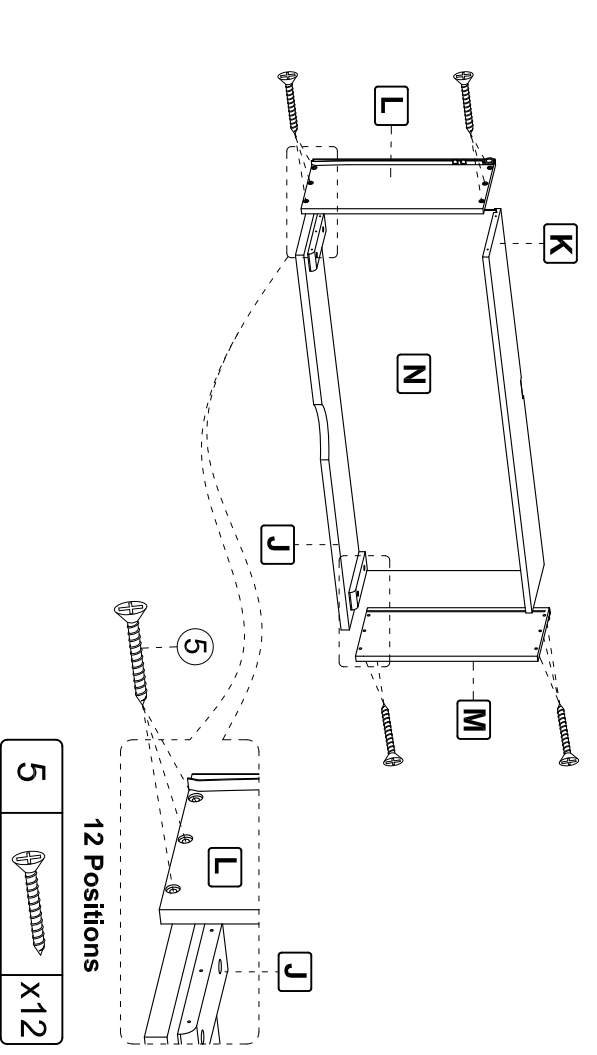
STEP 4



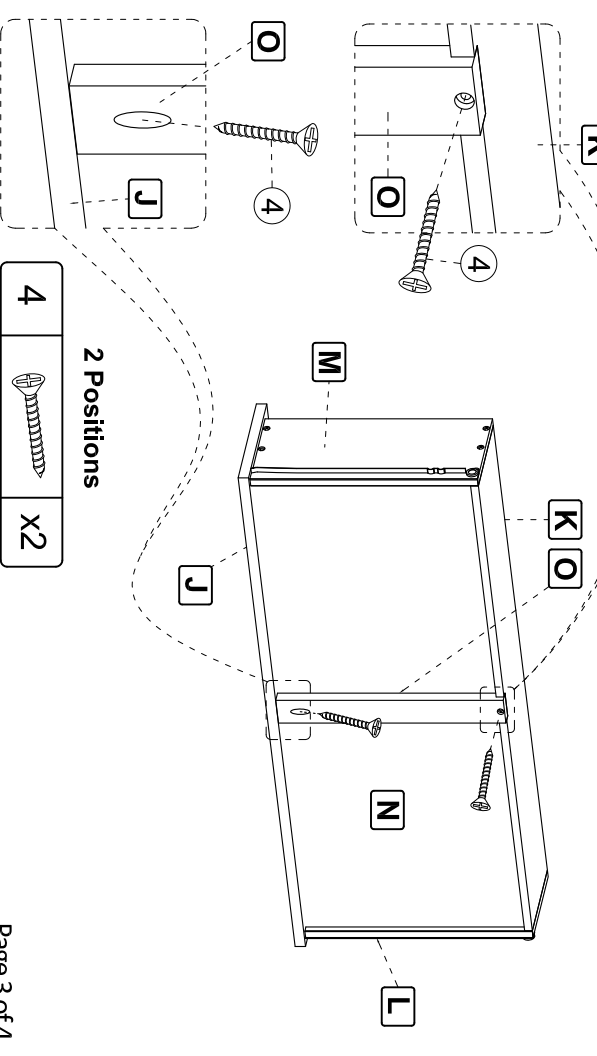
STEP 4



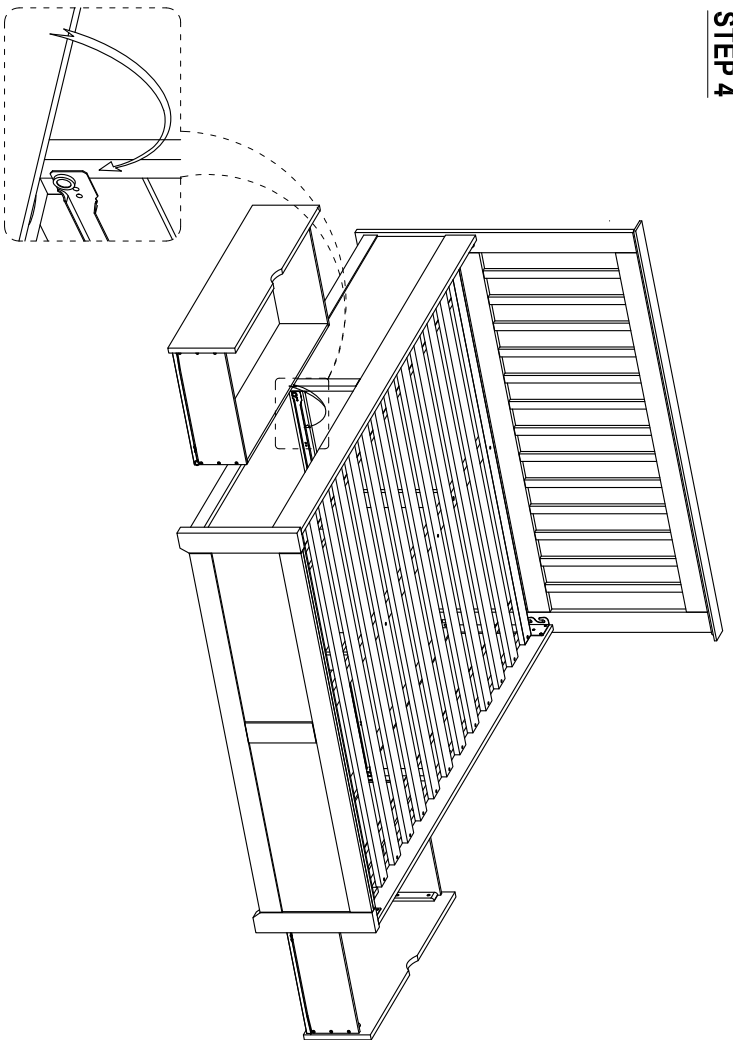
STEP 4



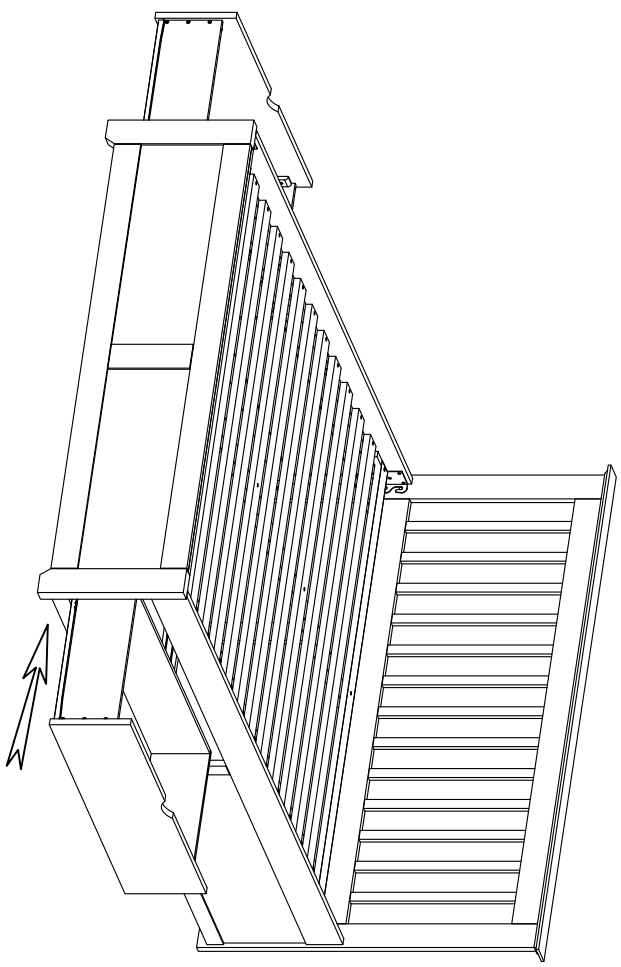
STEP 4



STEP 4



STEP 4



FINISH

