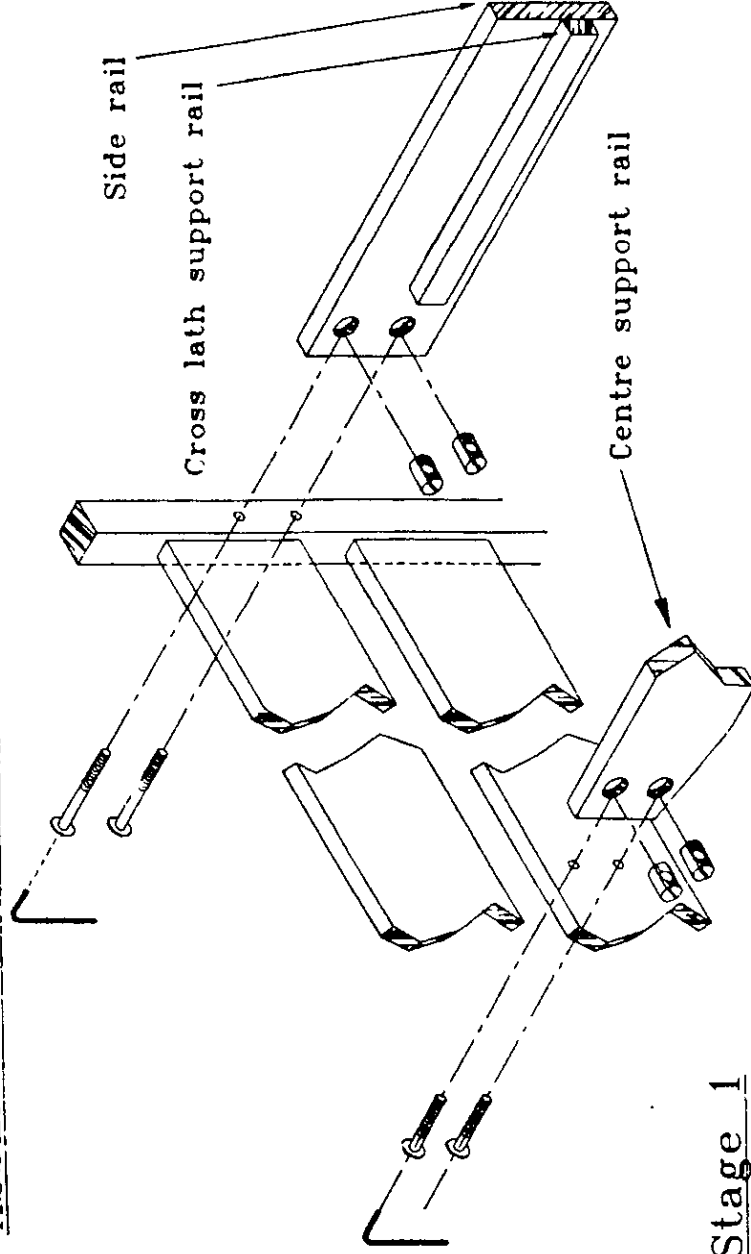


ASSEMBLY INSTRUCTIONS

Beds 4'0", 4'6" & 5'0"



Stage 1

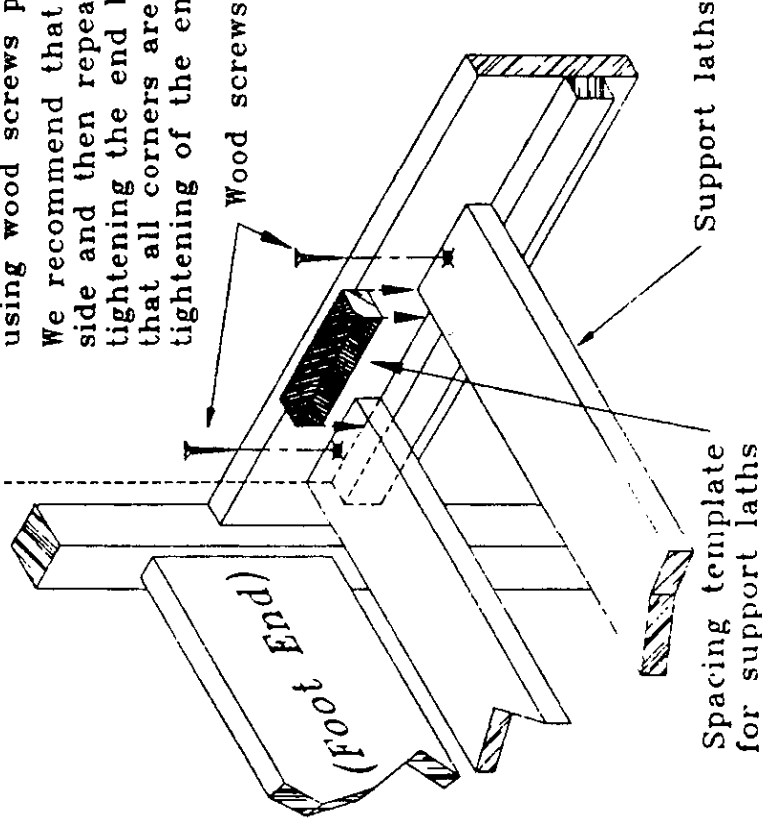
Place barrel nut into hole at end of long side rail. Ensure that narrow cross lath support rail is at bottom side. Pass long bolt through leg post and offer side rail to leg post. Push bolts through and tighten bolt to nut (finger tight only at this stage). Double beds have a centre support rail which should be fixed in the above manner.

First cross support lath to be set level with end of support rail.

Stage 2

Place cross support laths in position using the template to evenly space, then fasten down using wood screws provided.

We recommend that you fasten down one side and then repeat on opposite side after tightening the end bolts (as in stage 1). Ensure that all corners are at 90° before the final tightening of the end bolts.



FIXING KIT

DOUBLE BED- 4'0", 4'6" & 5'0"

- 8 - BRASSED BOLTS
- 4 - SHORTER BRASSED BOLTS
- 12 - BARREL NUTS
- 1 - WOOD SCREWS
- 1 - Spacing template
- 1 - Allen Key