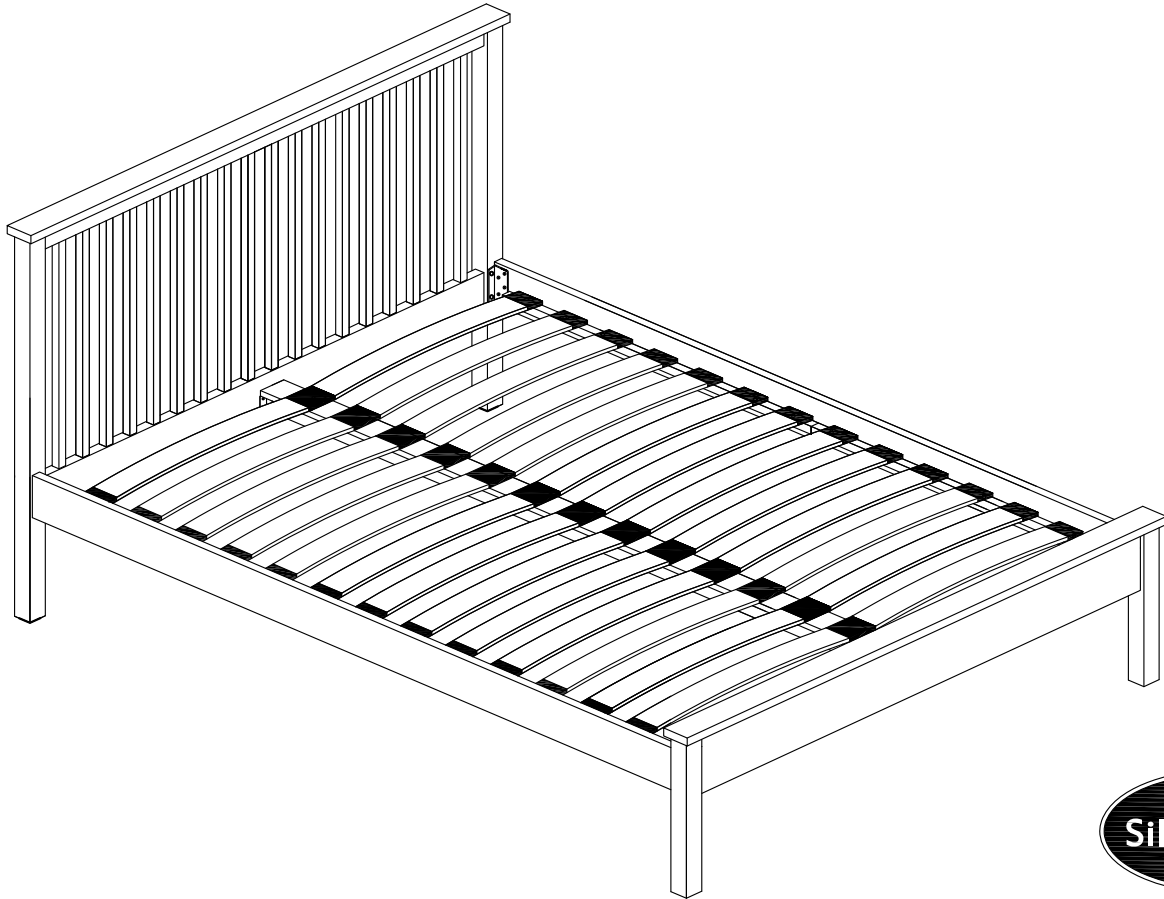


# MONTREAL DOUBLE BED



## Pre-assembly preparation

Please ensure instructions are read in full before attempting to assemble this product

## Necessary Tools



Please check the contents before attempting to assemble this product . A full checklist of components is given in this leaflet . If any components are missing , please contact Furniture Wholesale Group on the above contact information.

This product is **HEAVY** , it should be assembled as near as possible to the point of use . **TAKE CARE WHEN LIFTING** to avoid personal injury and (or) damage to the product.

This product takes approximately **40 MINUTES** to assemble with **2 PEOPLE**.

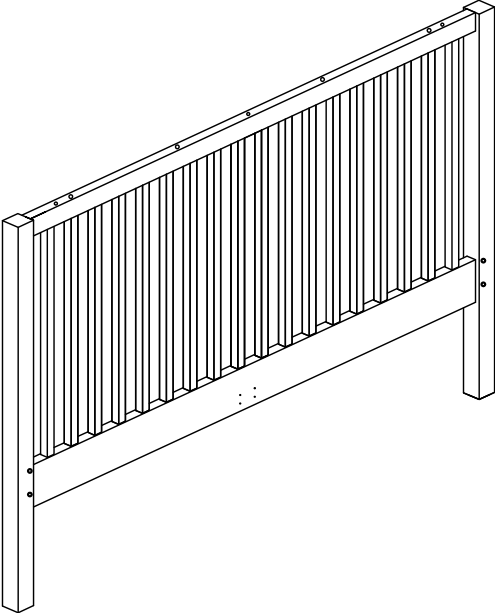
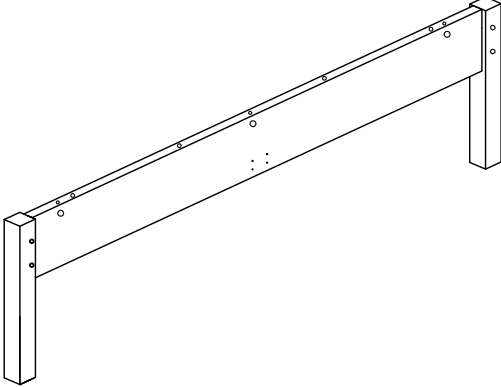
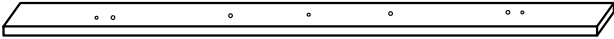
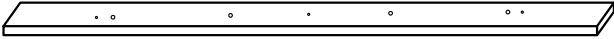

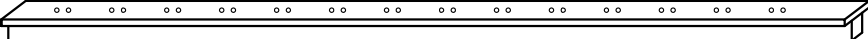
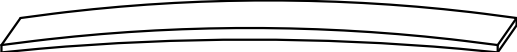
The fitting pack contains **SMALL PARTS** which should be **KEPT AWAY FROM YOUNG CHILDREN**.

Read this leaflet in full before commencing assembly.


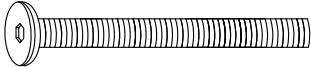


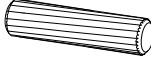
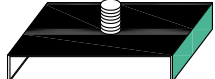
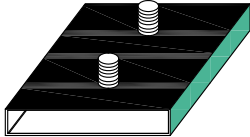
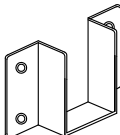


For product support or spare parts please contact FWG sale LTD on 01244 689949 or e-mail: [mail@fwgroup-uk.com](mailto:mail@fwgroup-uk.com).

# Fitting and parts checklist - bedstead

## Parts

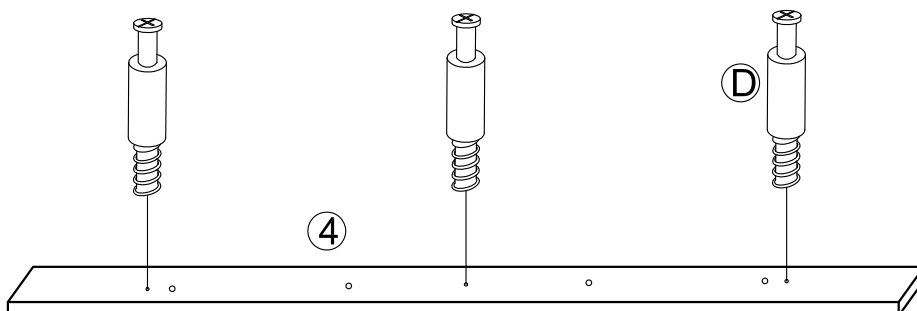
1	Headboard x 1	
2	Footboard x 1	
3	Top Rail Headboard x 1	
4	Top Rail footboard x 1	
5	Side Rails x 2	
6	Centre Rail x 1	
7	Wooden slats x 28	

# Fittings

A	M8 x 22 x 8 Screw	
B	M6 x 60 x 3 Screw	
C	Cam Ø15 x 10.5 mm x 3	
D	Bolt 6 x 24 mm x 3	
E	Ø10 x 30mm dowel x 8	
F	Cap Ends x 28	
G	Slat connector x 14	
H	Centre rail cup x 2	
I	M4 x 20 x 8 Screw	
K	Allen key x 1	

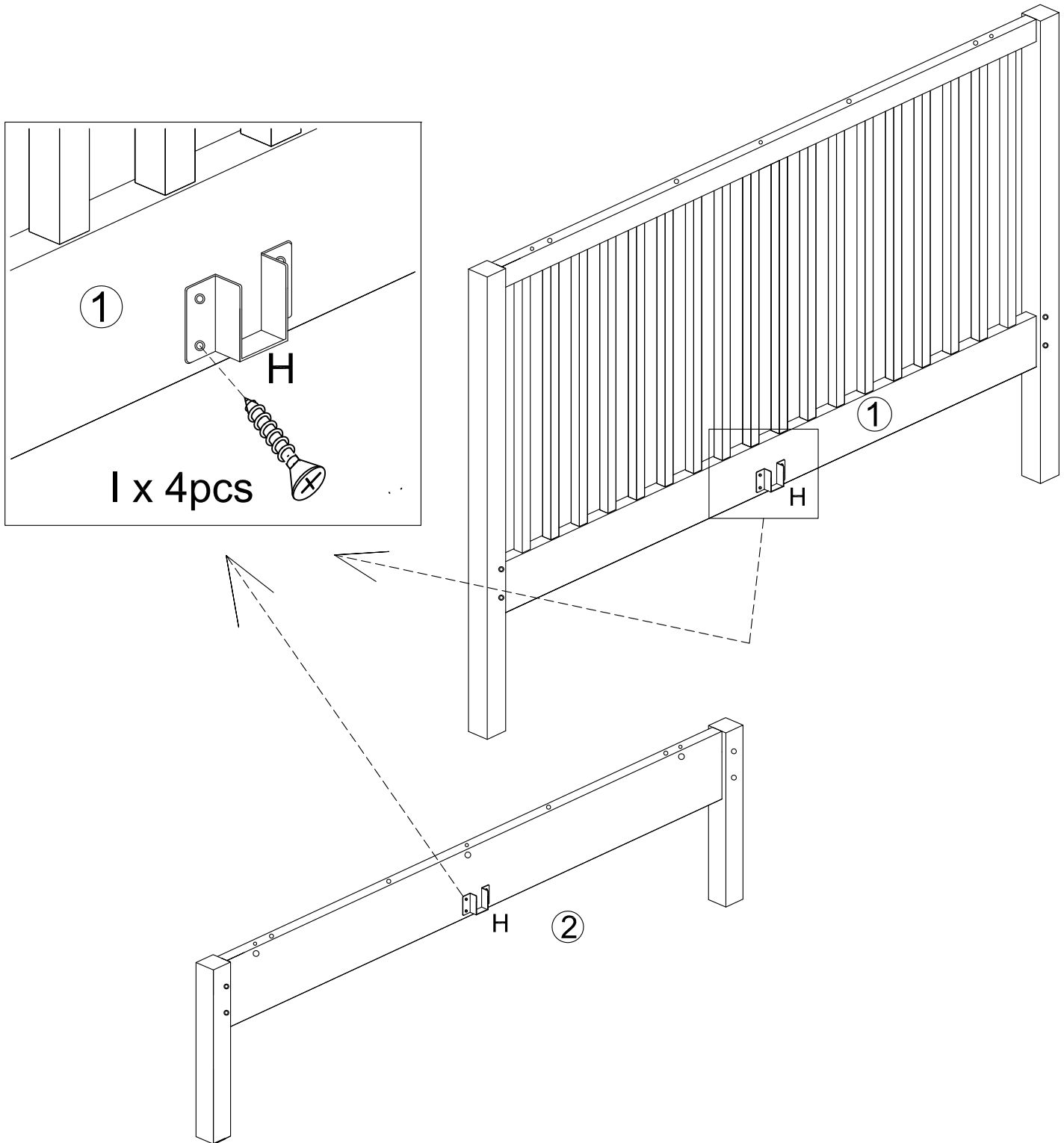
## Step One

Screw the bolts (D) in to the holes indicated on the tops (4)



## Step Two

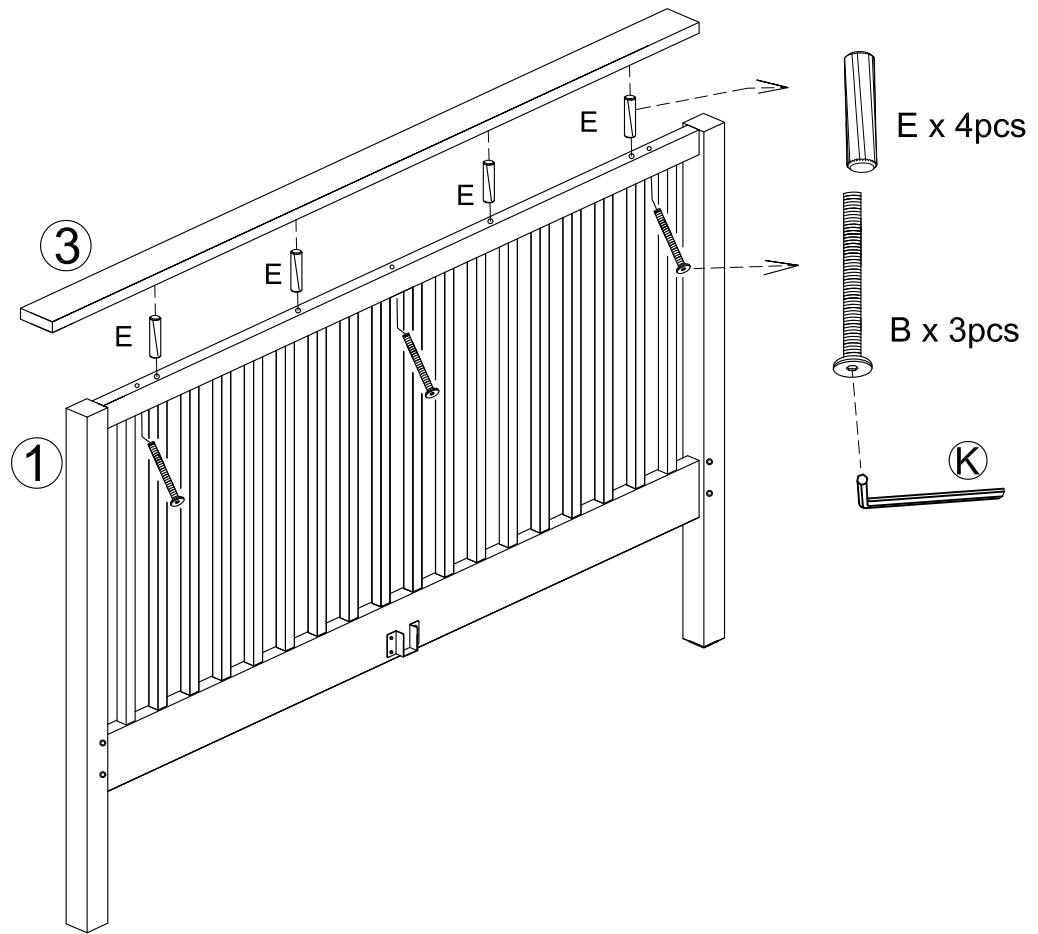
Fix the cup (H) into the drilling holes on lower rail of headboard (1) and footboard(2), using screw (I).



## Step Three

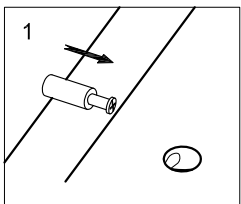
Put the dowels (E) into the holes on upper rail of headboard(1) .

Then fix the top rail (3) into headboard (1) and footend using screw (B) . Tighten the screw (B) using allen key (K).

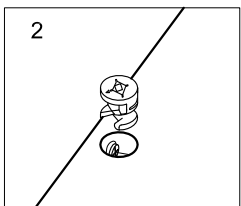


## Step Four

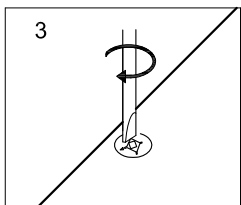
Put the dowels (E) into the holes on Foot end rail press the top rail (4) onto the foot end (2) .



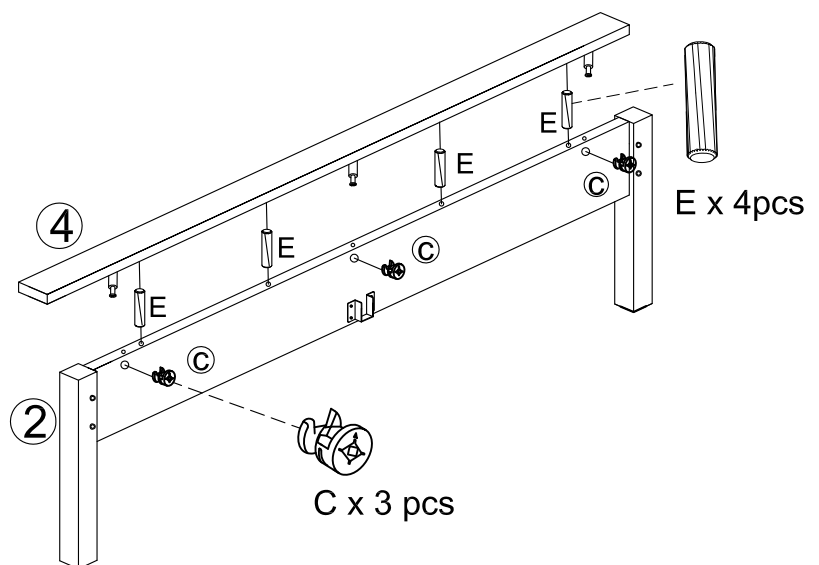
1 : Lower the bolt into the hole.



2 : Place the cam into the hole indicated , arrows pointing towards the bolt.

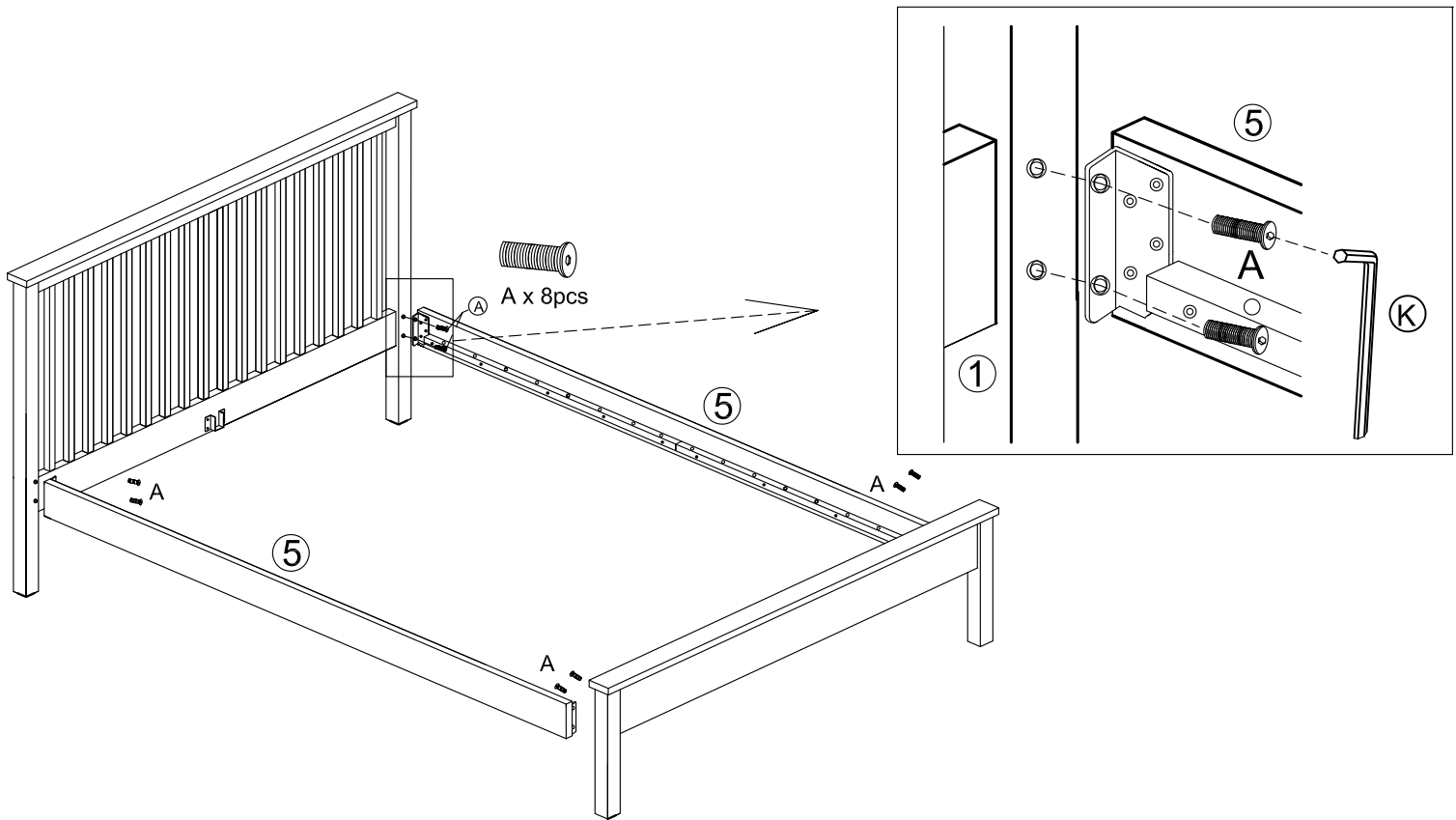


3 : Tighten : Turn the cam to the right.



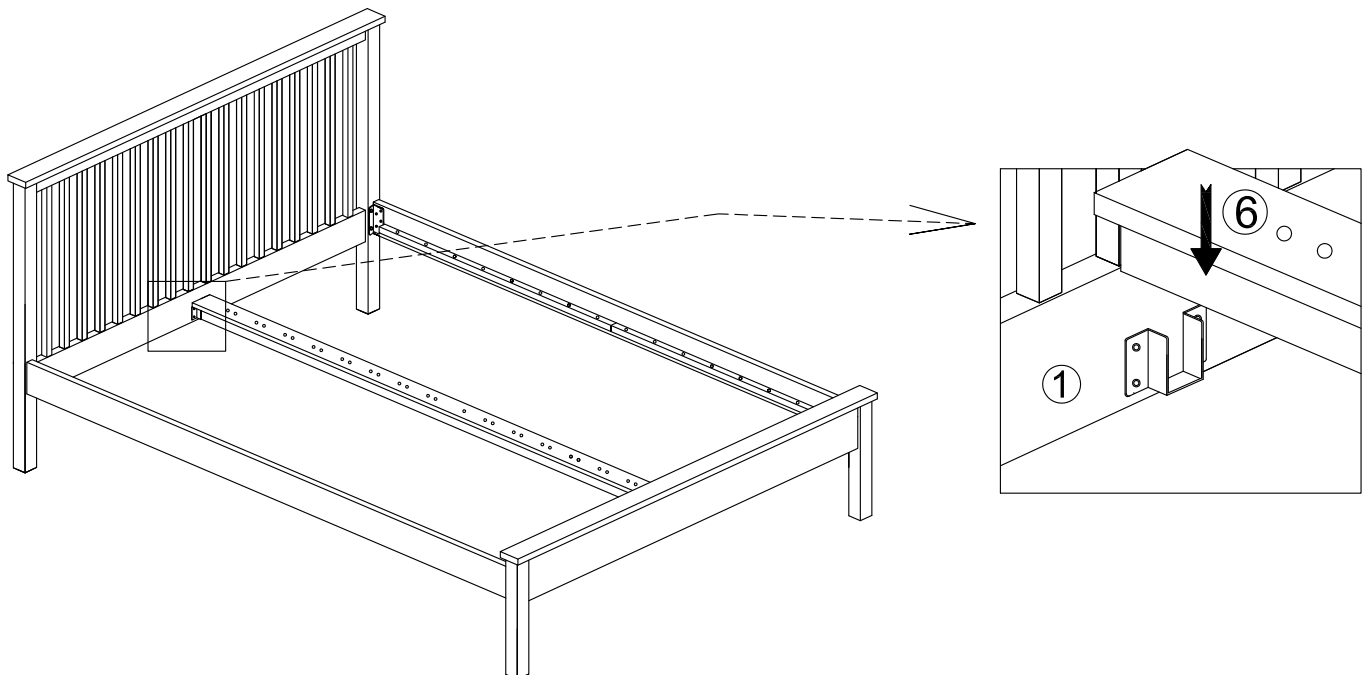
## Step Five

Fix the side rail (5) to the headboard(1) and foodboard (2) using bolts (A) as shown.  
Tighten using allen key (K).



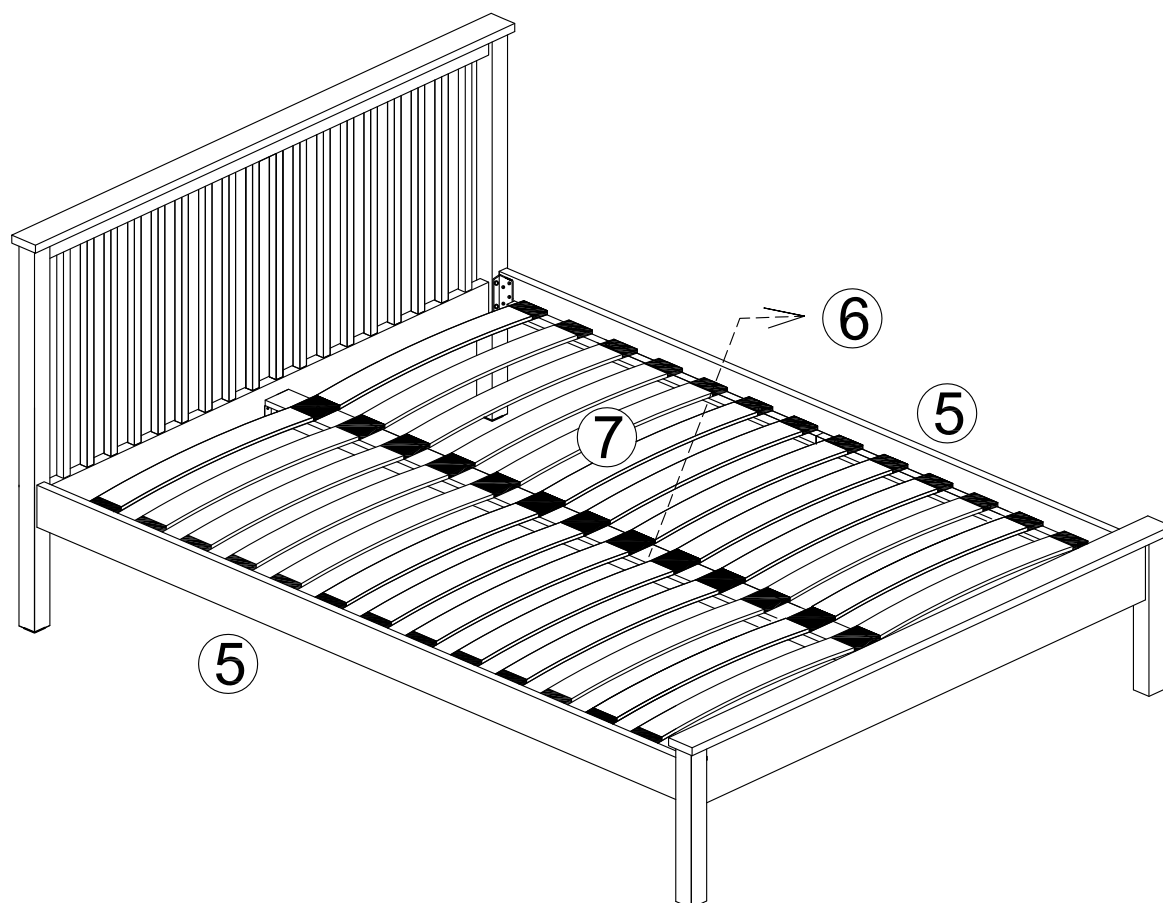
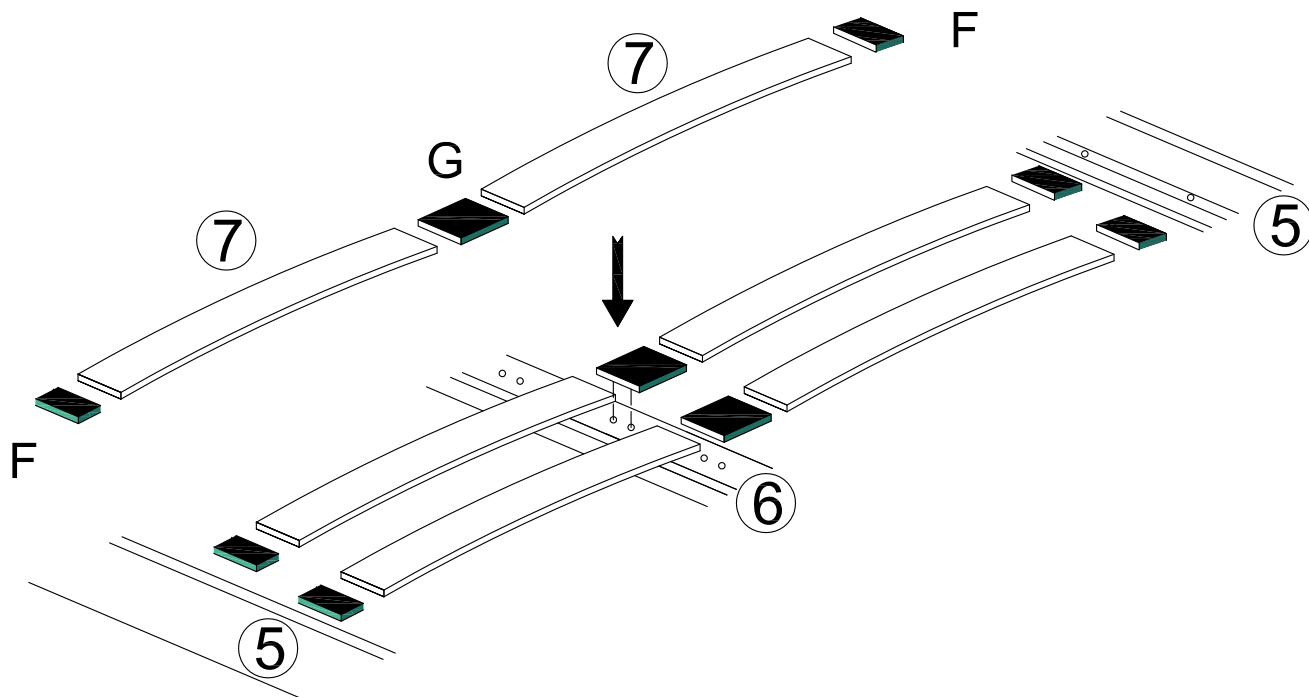
## Step Six

Lower the slatholder (6) onto the hooks on the head- and footboard.



## Step Seven

When attaching the slats (7), please ensure they have the curved side facing up. Insert the cap end (F) in to the side rail (5), then insert a slats (7) into the cap end (G). Repeat this process to attach a slat to the opposite side rail. Finally, insert both slat ends in to a slat connector (G) and secure in to the centre rail (6). Repeat this process for all slats.



---

# Care and Maintenance

---

## Wooden Bed.

This Montreal Double Bed should be cleaned using a soft damp cloth and dried immediately. Do not use a very wet cloth or allow any liquid contact for a long period of time as this can permanently damage the surface.

Do not use abrasive cleaner or harsh detergents as this can damage the surface.

Do not drag any object across the bed as this can cause permanent damage.

---

# Safety Instructions

---

Never drag furniture when moving it , always lift it.

Periodically check all fixing to ensure none have come loose and re-tighten where necessary.

Please take care when handling or moving the furniture as careless handling may cause damage or injury . Furniture can be dangerous if incorrectly installed . Assembly should be carried out by a competent adult . No liability will be accepted for damage or injury caused by incorrectly installed or assembled furniture .During assembly children should be kept away from the product due to possible risk of injury.

Do not use this item if any components are missing or damaged.

It is recommended that before moving heavy objects to a new location they are completely dis-assembled to avoid personal injury or damage to the furniture .Please be careful to retain all fittings when doing this.

This product complies with BS 1725 : 1998.

FWG Sales Limited,  
Unit, Brymau 4 Trading Estate  
River lane, Saltney,  
Chester  
CH4 8RF  
[www.fwgsales.com](http://www.fwgsales.com)

