

# ASSEMBLY INSTRUCTIONS

MODEL : EDBURGH (SMALL DOUBLE BED / DOUBLE BED)

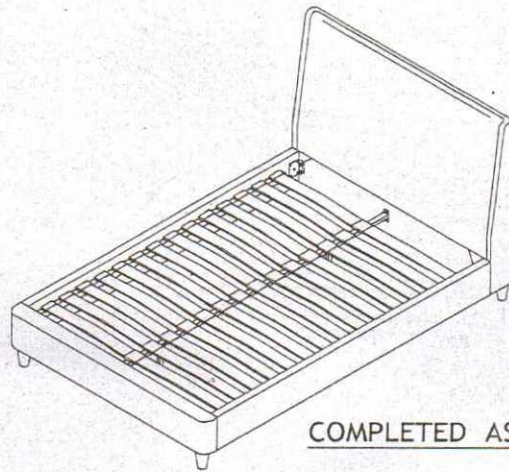
Thanks you for purchasing this quality product. Be sure to lay all components on a soft and clean surface before assembly in order to avoid components from being scratched.

## CAUTIONS :

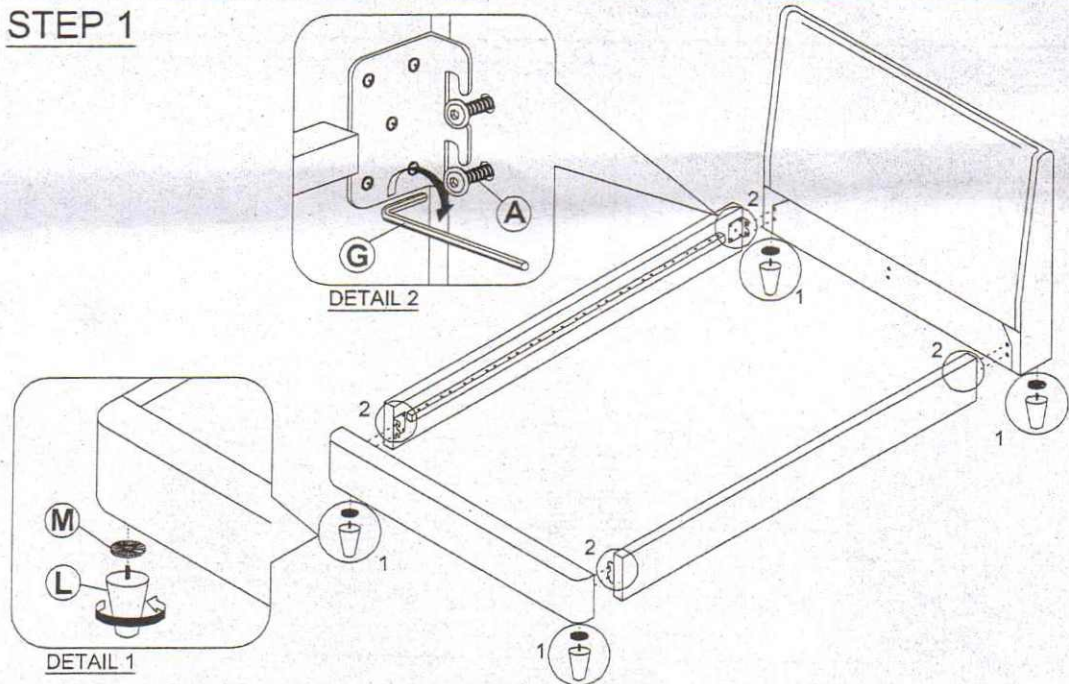
1. Check contents against list for quantity.
2. Familiarize yourself with the components and hardware by reviewing the Assembly Instructions.
3. Do not over tightened the screws and bolts as it may damage the threads.
4. Keep all hardware parts out of the reach of children.

### HARDWARE LIST

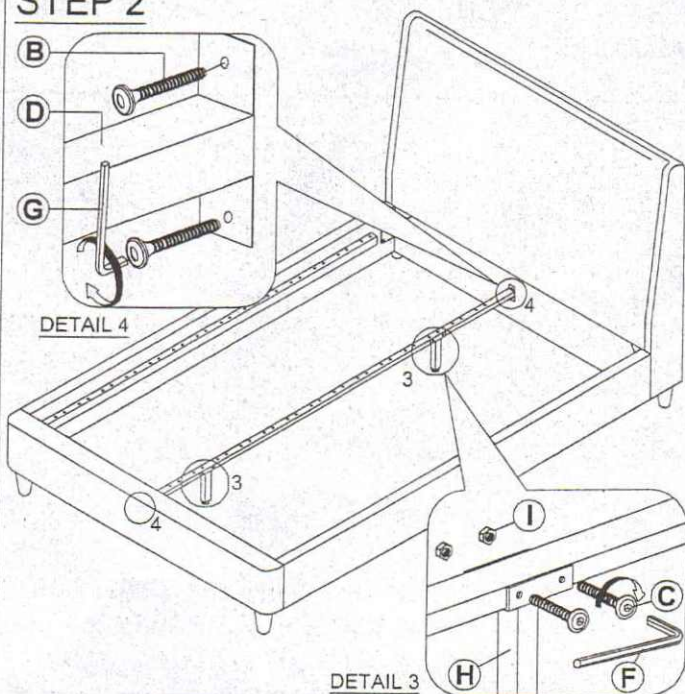
NO.	DESCRIPTION	QTY
<b>A</b>	M8 X 35MM JCBB SCREW *COME ATTACHED IN HEADBOARD -4PCS *COME ATTACHED IN FOOTBOARD -4PCS	
<b>B</b>	M8 X 25MM JCBB SCREW *COME ATTACHED IN HEADBOARD -2PCS *COME ATTACHED IN FOOTBOARD -2PCS	
<b>C</b>	M6 X 40MM JCBC SCREW	4 PCS
<b>D</b>	MIDDLE RAIL	1 PC
<b>E</b>	WOOD SLAT	26 PCS
<b>F</b>	M4 ALLEN KEY	1 PC
<b>G</b>	M5 ALLEN KEY	1 PC
<b>H</b>	SUPPORT MIDDLE RAIL	2 PCS
<b>I</b>	M6 NUT	4 PCS
<b>J</b>	END CAP	26 PCS
<b>K</b>	MIDDLE CAP	13 PCS
<b>L</b>	LEG	4 PCS
<b>M</b>	PLASTIC WASHER	4 PCS



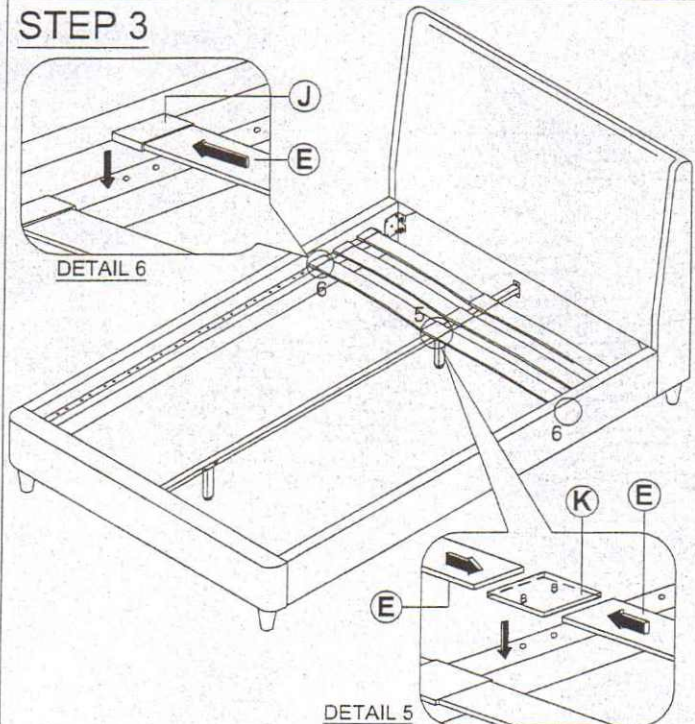
## STEP 1



## STEP 2



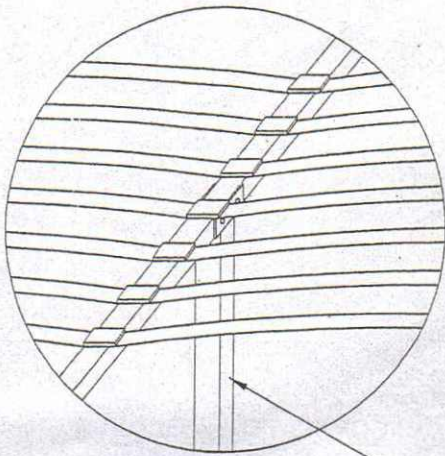
## STEP 3



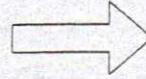
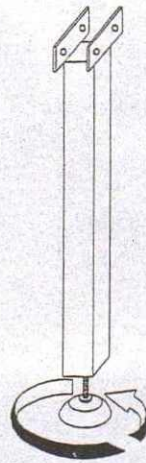
**CAUTION ! :**

**PLEASE FOLLOW THE IMPORTANT STEPS BEFORE REMOVE THE BED**

**STEP 1**

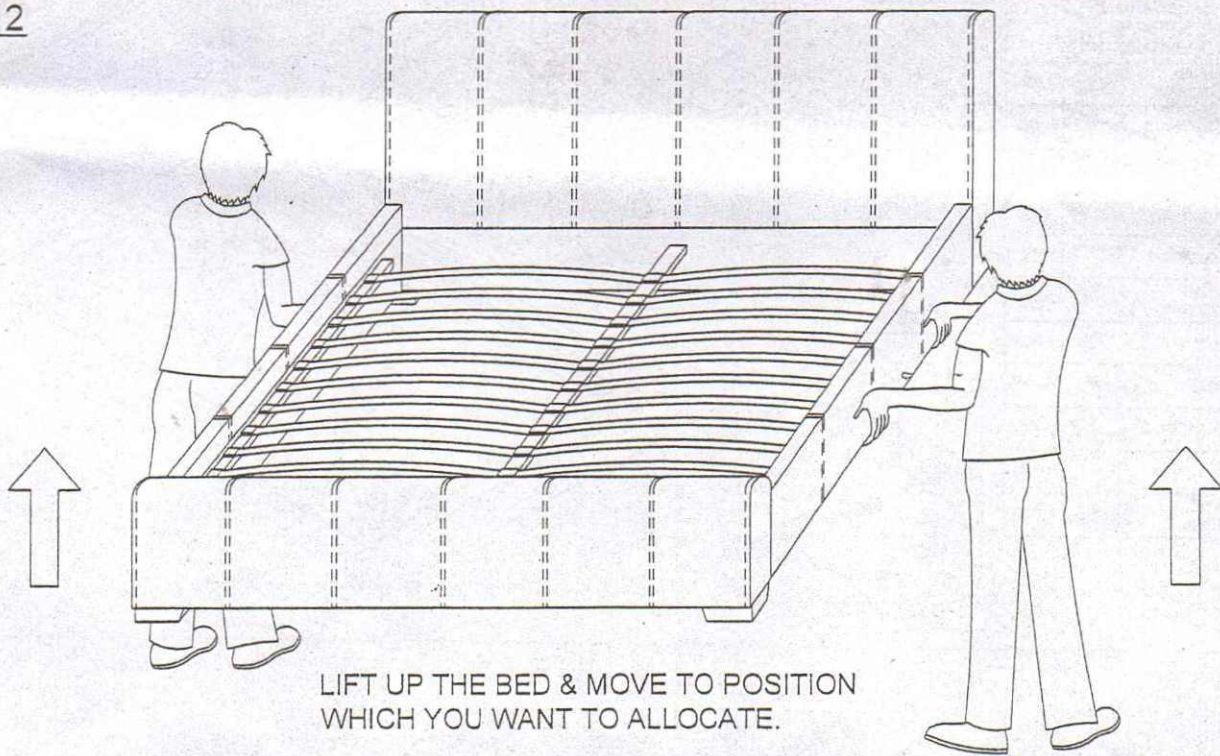


MIDDLE SUPPORT LEG



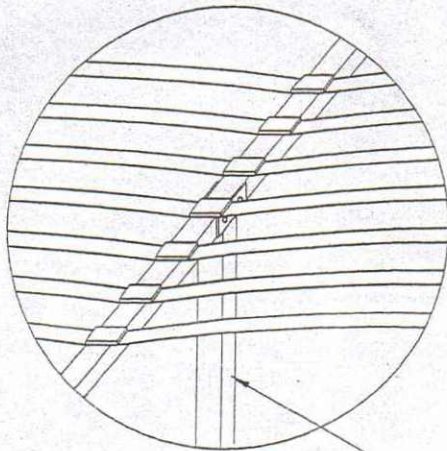
UPWARD THE ADJUSTABLE NUT ON THE MIDDLE SUPPORT LEG.

**STEP 2**

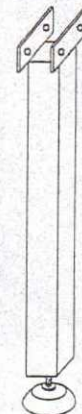
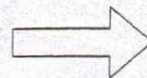
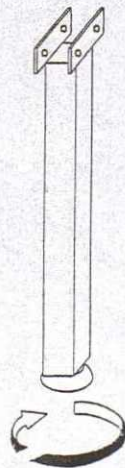


LIFT UP THE BED & MOVE TO POSITION WHICH YOU WANT TO ALLOCATE.

**STEP 3**



MIDDLE SUPPORT LEG



DOWNWARD THE ADJUSTABLE NUT ON THE MIDDLE SUPPORT LEG UNTIL EVEN WITH FLOOR.